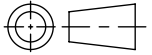
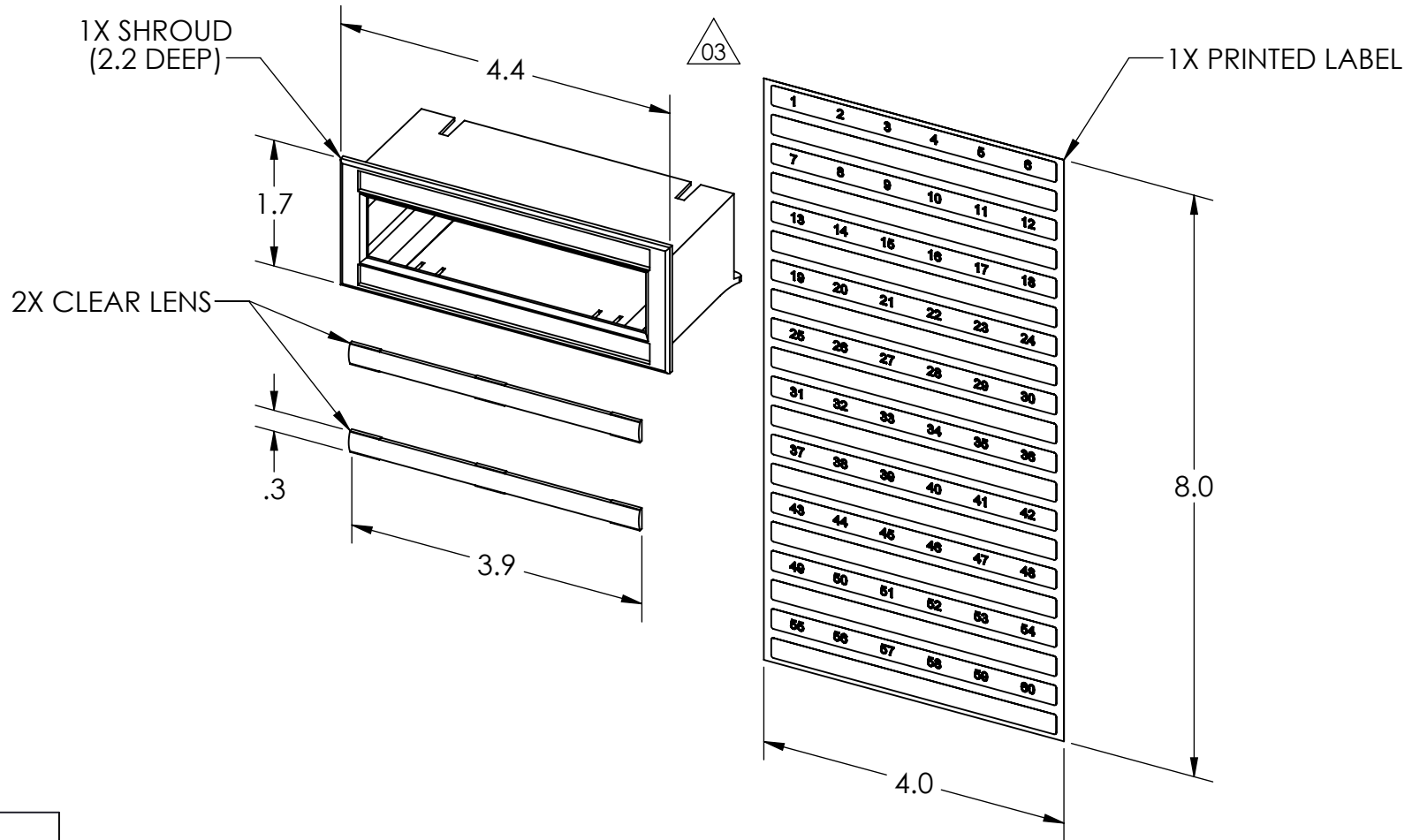


SW2007



Revision level		Revision Record	Changed	Date	Approved	Date
Drawing	Part					
03	-	SEE ECN# 014262	CAS	01/17/2018	KAC	01/17/2018



Material
 PLASTIC
 RoHS COMPLIANT

Units inches

Dimension without tolerances details to:

- .xxxx = ±.0005
- .xxx = ±.005
- .xx = ±.01
- .x = ±.03
- None = ±.06
- ∠ = ±0.5°

The copyright of this drawing is reserved by HellermannTyton. It is issued on condition that it is not reproduced, copied, or disclosed to a third party, either wholly or in part, without the consent of HellermannTyton.

Drawn	KAC	05/06/2009
Approved	KAC	07/20/2010
HellermannTyton North America Email: corp@htamericas.com Web: www.hellermann.tyton.com		

Article/Type-No	RNGARINSERT	Scale	1:2
Title	RNG SHROUD ASSEMBLY	Project Number	PRP08-1006
Drawing-No	MI08-1006-010CST	Production : Phase	Format AH
			Sheet 1/1