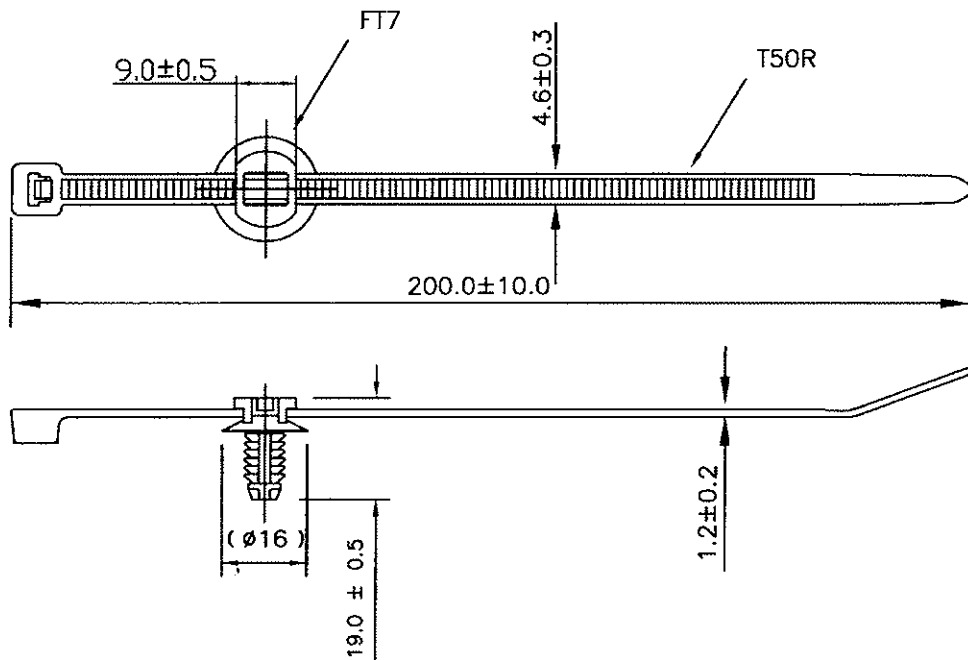


Revision No. 变更数	Revisions 变更事项	Changed 修改者	Date 日期	Approved 确认者	Date 日期
①	Add T50RFT7-HSB T50RFT7-HSW to the list	HuangSheng	20/Apr/2006	唐传文	2007/4/20



Product code 型号	Material/材料:	Color/颜色	Continuous Operation Temperature/适用温度范围	Flame Rating 阻燃性
① T50RFT7-HSB	尼龙66 (聚酰胺66) 耐热型 66 Nylon (Polyamid 66)	Black/黑色	-40°C~+105°C	UL94V-2
T50RFT7-HSW	尼龙66 (聚酰胺66) 耐热, 耐候型 66 Nylon (Polyamid 66)	Black/黑色	-40°C~+105°C	

Minimum Extraction force/最小拔出力	200N
Maximum insertion force/最大插入力	100N
Panel hole diameter range 适用孔径	Ø6.5 to 7.0
Panel thickness range 适用板厚	0.8 to 7.0
Min. Loop Tensile Strength /最小环形拉断力	225N
Bundle Diameter /捆扎直径	1.5 to 50.0

Material/材料 : FT7-尼龙66 (聚酰胺66) 66 Nylon (Polyamid 66) T50R-尼龙66 (聚酰胺66) 66 Nylon (Polyamid 66)	CAD	
Dimension Units / 尺寸单位	mm	
PERFORMANCE / 性能 SPECIFICATION / 标准	the copyright of this drawing is reserved by HELLERMANNTYTON. it is issued on condition that it is not reproduced, copied or disclosed to a third party, either wholly or in part, without the consent of HELLERMANNTYTON.	

Drawn/制图	HuangSheng	20/SEP/2005	Scale/比例	NO / 无
Approved/审核	唐传文	2007/9/20	Title/品名	
HellermannTyton 海尔曼太通 (无锡) 电器配件有限公司 (WUXI) Electrical Accessories Co., Ltd. Tel: +86-510-85282536 Fax: +86-510-85280112			T50RFT7	
			Drawing-No/图号	Format/格式
			QDQ207-00B-01	A4

Product Number
Cross Reference Record

Uncontrolled Document

Pre-UNS Number System	(New) UNS Universal Number System	Customer Part Number
Product Number T50RFT7	Product Number 156-00291	Product Number -
Reference Drawing Number: XCT-HTC003CST		

Issued By:	(New) UNS Product Number	Issue Date:
HellermannTyton	Universal Numbering System	June 9, 2009