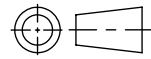
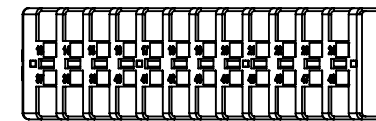
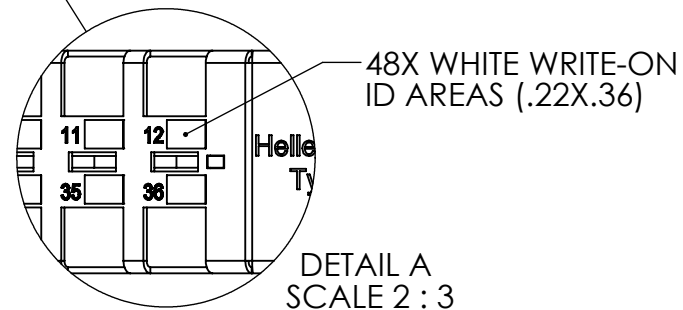
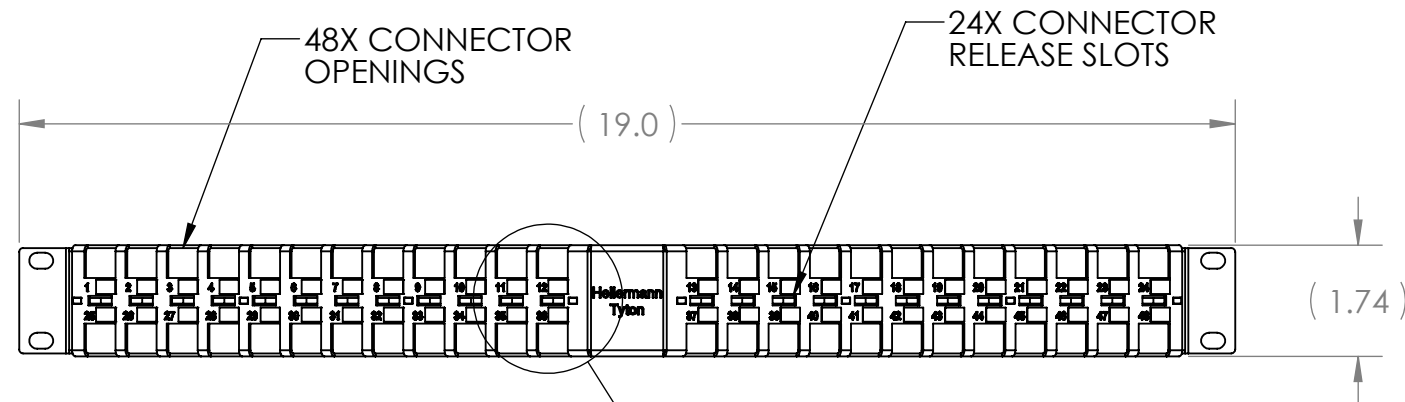
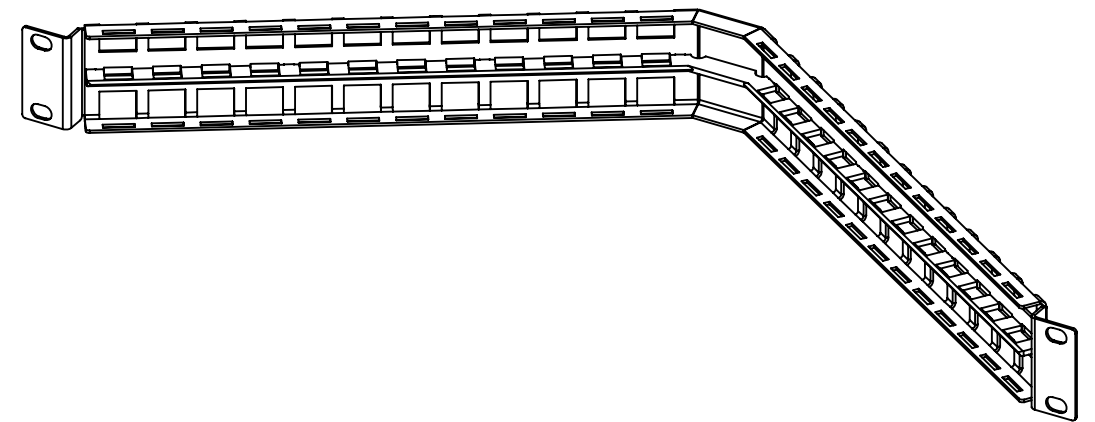
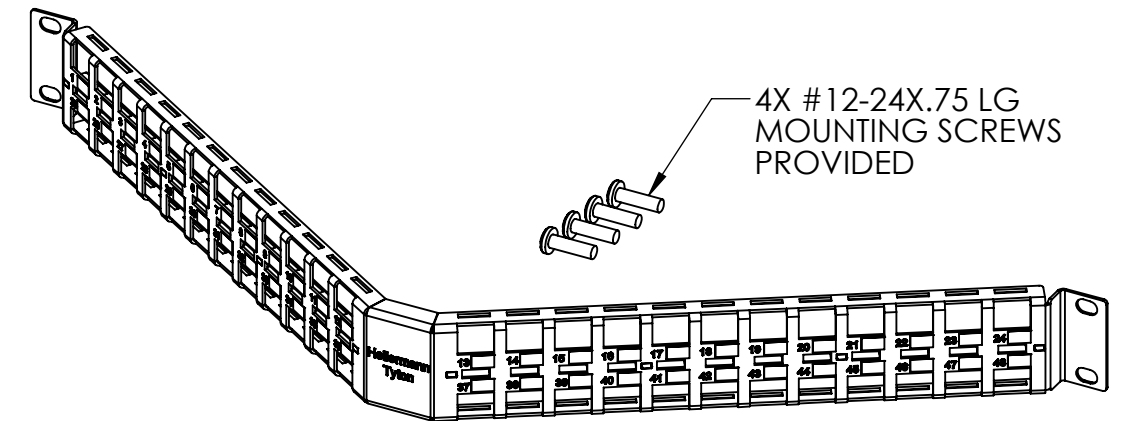
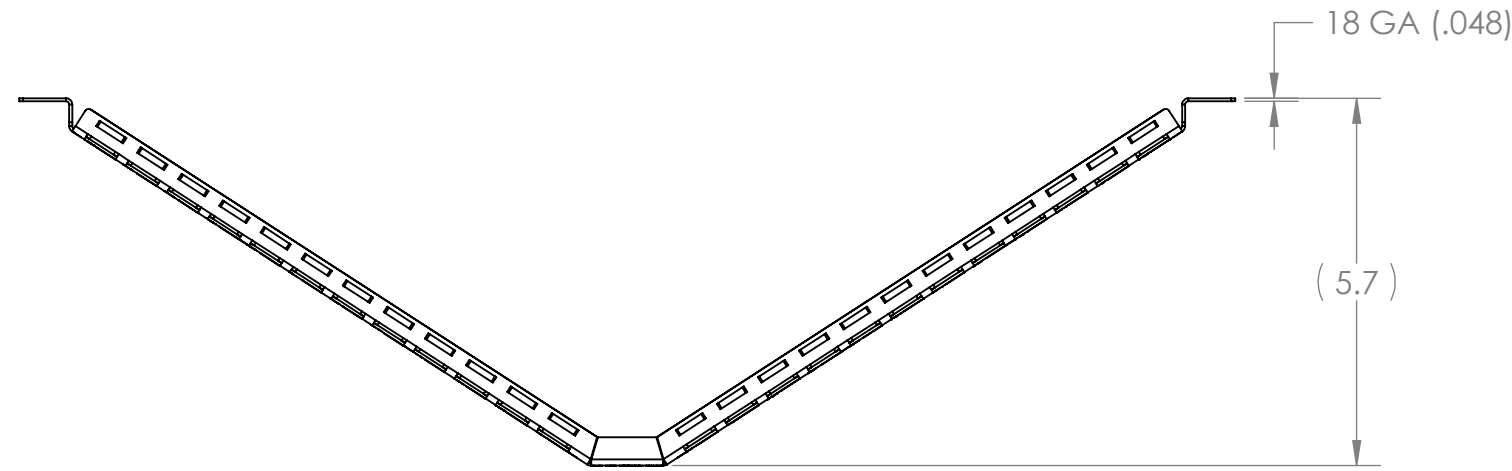


SW2011



Revision level		Revision Record	Changed	Date	Approved	Date
Drawing	Part					
04	-	SEE ECN# 012200	CJR	10/12/2012	CJR	10/12/2012



Notes

Material
BLACK POWDER COATED STEEL, RoHS COMPLIANT

Units inches
Dimension without tolerances details to:
.xxxx = ±.0005
.xxx = ±.005
.xx = ±.01
.x = ±.03
None = ±.06
∠ = ±0.5°

The copyright of this drawing is reserved by HellermannTyton. It is issued on condition that it is not reproduced, copied, or disclosed to a third party, either wholly or in part, without the consent of HellermannTyton.

Drawn KAC 06/28/2010
Approved
HellermannTyton
North America
Email: corp@htamericas.com
Web: www.hellermann.tyton.com

Article/Type-No PP48MOD1AU
Title 1U ANGLED MODULAR PATCH PANEL 2 SIDED
Drawing-No MI10-0531-003CST
Production : Phase

Scale 1:3
Project Number PRP10-0531
Format B
Sheet 1/1