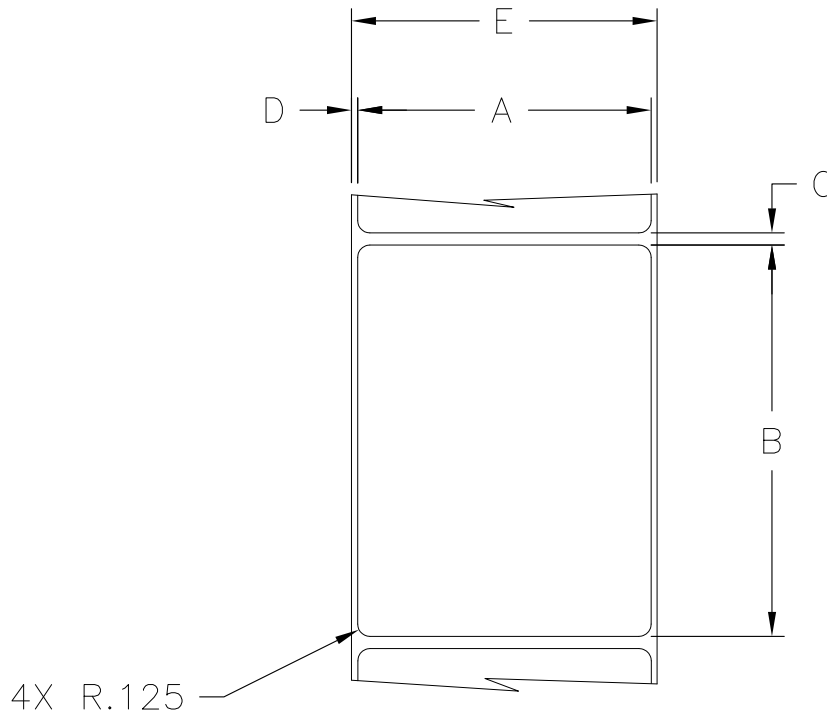


WPRO-EMKZ-

name	date	city, state

NOTES



	PART NUMBER	LABELS PER ROLL	A	B	C	D	E
01	LD32TT1	720	3.00	2.00	.125	.06	3.125
01	LD32TT3	3000	3.00	2.00	.125	.06	3.125
	LD34TT3	1600	3.00	4.00	.125	.06	3.125
01	LD42TT3	3000	4.00	2.00	.125	.06	4.125
	LD44TT1	375	4.00	4.00	.125	.06	4.125
01	LD45TT3	1200	4.00	5.00	.125	.06	4.125
01	LD46DT3	1000	4.00	6.00	.125	.06	4.125
01	LD46TT1	250	4.00	6.00	.125	.06	4.125
	LD2515TT3	3600	2.50	1.50	.125	.06	2.625

REVISION	D level	01
	date	07/09/08
	by	AAC
	ECN #	011059
	part level	A

DIMENSIONS	TOLERANCES	.XXXX = ±.0005
		.XXX = ±.005
		.XX = ±.01
		.X = ±.03
		∠ = ±0.5°
	unless otherwise specified	
	units	inches

PART	number	SEE CHART	phase	PRODUCTION
	name	BLANK THERMAL TRANSFER LABELS		
	material	PAPER		

DRAWING	FORMAT	AV	version	P	CAD	ACAD	scale	2X
	computer file number	LA\DTL\3002025_01		previous number				
	drawn	A.A.M.	checked	KAC	approved			
		10/21/98		07/14/08				
	type	DETAIL		sheet		1 of 1		
number	LA3002025DTL							