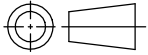
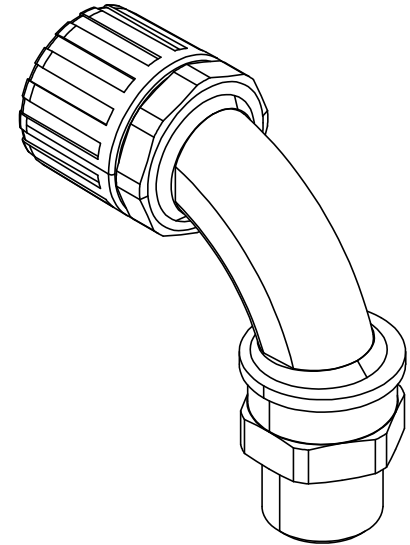
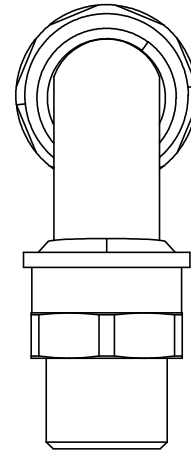
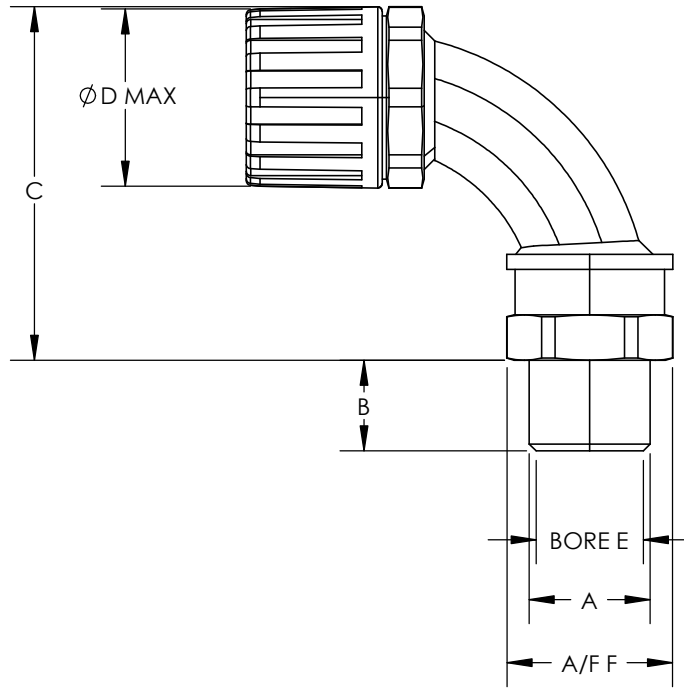


SW2014



Revision level			Revision Record	Changed	Date	Approved	Date
Drawing	State	Part					
00	Design Release	-	SEE ECN# 015526	JMC	03/10/2020	JPG	03/10/2020



Conduit Size		HellermannTyton Part Number	Manufacturer Reference Number	Metric Threa	Dimensions								GPN		
in.	mm				A	B		C		D		E		F (A/F)	
					in.	mm	in.	mm	in.	mm	in.	mm	in.	mm	
3/8"	16.0	HGU16-90M-M16B	FPAU16-BM16-90	M16x1.5	0.47	12.0	1.97	50.0	1.14	29.0	0.41	10.5	0.79	20.0	19-1765
3/8"	16.0	HGU16-90M-M20B	FPAU16-BM20-90	M20x1.5	0.47	12.0	2.05	52.0	1.14	29.0	0.55	14.0	0.94	24.0	19-1766
1/2"	21.0	HGU21-90M-M20B	FPAU21-BM20-90	M20x1.5	0.47	12.0	2.13	54.0	1.26	32.0	0.55	14.0	0.94	24.0	18-1927
3/4"	28.0	HGU28-90M-M25B	FPAU28-BM25-90	M25x1.5	0.47	12.0	2.64	67.0	1.73	44.0	0.75	19.0	1.14	29.0	19-1767
1"	34.0	HGU34-90M-M32B	FPAU34-BM32-90	M32x1.5	0.51	13.0	2.95	75.0	2.01	51.0	0.96	24.5	1.50	38.0	18-1929
1-1/4"	42.0	HGU42-90M-M40B	FPAU42-BM40-90	M40x1.5	0.63	16.0	4.01	102.0	2.48	63.0	1.28	32.5	1.97	50.0	18-1931
1-1/4"	42.0	HGU42-90M-M50B	FPAU42-BM50-90	M50x1.5	0.71	18.0	4.01	102.0	2.48	63.0	1.54	39.0	2.28	58.0	19-1768

Material
PA66 / NICKEL PLATED
BRASS

Units:

The copyright of this drawing is reserved by HellermannTyton. It is issued on condition that it is not reproduced, copied, or disclosed to a third party, either wholly or in part, without the consent of HellermannTyton.

Drawn JMC 03/10/2020
Approved JPG 03/10/2020

HellermannTyton
North America
Email: corp@htamericas.com
Web: www.hellermann.tyton.com

Article/Type-No HGU-90M SERIES

Title **HELAGUARD 90 DEGREE NYLON ELBOW FITTING W/ BRASS SWIVEL, EXTERNAL METRIC THREAD, IP68**

Drawing-No PRODUCTION : Phase

19-1765-001-CSU

Scale 1:1

Project Number PRP 19-1765

Format AH

Sheet 1/1