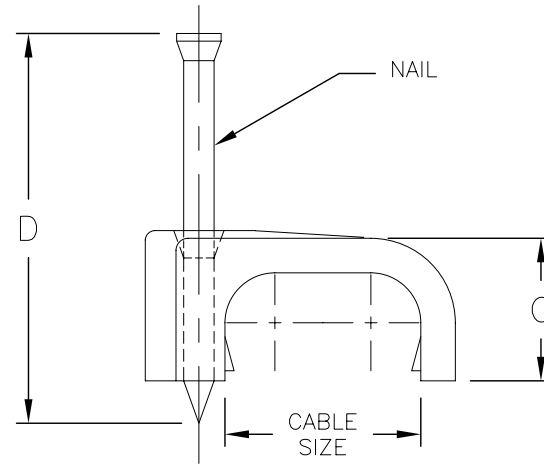
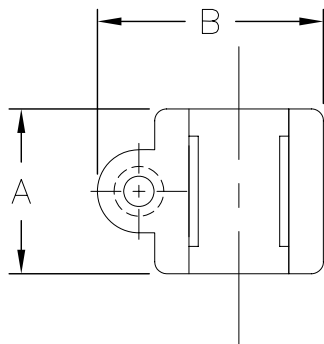
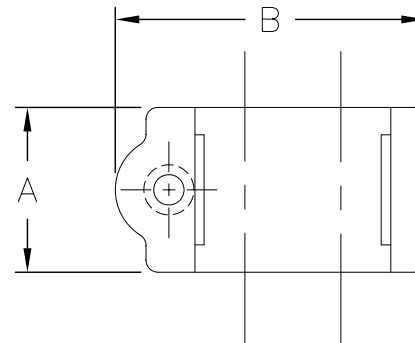


"NC" CLIP



"FC" CLIP



△02 PART NUMBER DESCRIPTION

NC8\_LP  
COLOR

.984[25,00]	.386[9,80]	.925[23,50]	.374[9,50]	.551[14,00]	FC14_
.984[25,00]	.512[13,00]	.827[21,00]	.492[12,50]	.433[11,00]	NC11_
.787[20,00]	.413[10,50]	.630[16,00]	.354[9,00]	.354[9,00]	NC9_
.787[20,00]	.394[10,00]	.622[15,80]	.335[8,50]	.315[8,00]	NC8_
1.370[34,80]					NC8_LP
.787[20,00]	.339[8,60]	.571[14,50]	.315[8,00]	.276[7,00]	NC7_
1.367[34,72]					NC7_LP
.630[16,00]	.315[8,00]	.492[12,50]	.256[6,50]	.236[6,00]	NC6_
1.363[34,62]					NC6_LP
.630[16,00]	.264[6,70]	.469[11,90]	.236[6,00]	.197[5,00]	NC5_
.630[16,00]	.181[4,60]	.181[4,60]	.189[4,80]	.138[3,50]	NC3.5_
D	C	B	A	CABLE SIZE	PART NO.
±.020[.51]	±.020[.51]	±.020[.51]	±.020[.51]		

INVENTORS

**HellermannTyton**

ALL PROPRIETARY RIGHTS IN THE SUBJECT MATTER SHOWN ON THIS DRAWING ARE EXCLUSIVE PROPERTY OF HELLERMANNTYTON

name	date	city, state

REVISION

DRAWING	level	date	by	ECN #	part level
	01	01/11/01	AAC	002931	A

DIMENSIONS

.XXXX=  
.XXX= NOTED  
.XX= NOTED  
.X=  
∠=  
unless otherwise specified  
units inches/mm

PART

number	SEE CHART	phase	PRODUCTION
name	NAIL CLIPS		
material	△02 CLIP - HIGH DENSITY POLYETHYLENE NAIL - HIGH CARBON STEEL WIRE		

DRAWING

FORMAT	AH	version	M	CAD	ACAD	scale	2X
computer file number	CL\SER\2002002_02		previous number				
drawn	SSL	checked	K.A.C.	approved			
date	02/27/98	date	05/30/02	date			
type	CUSTOMER		sheet		1 of 1		
number	CL2002002SER						