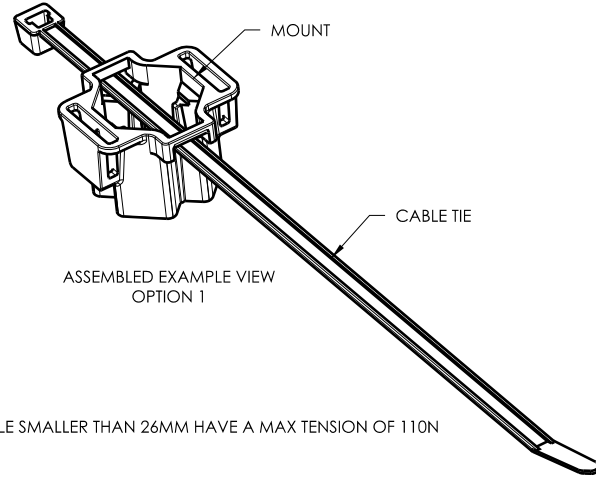
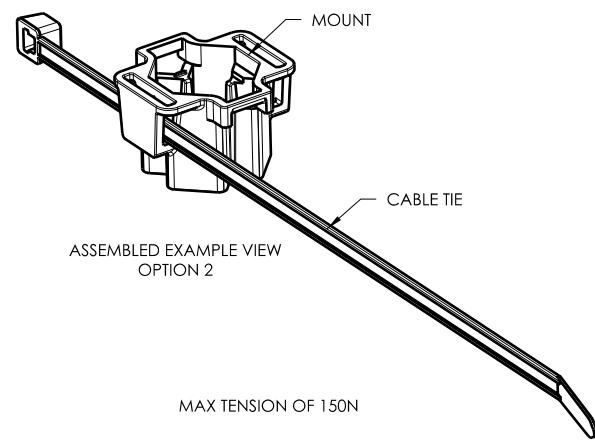


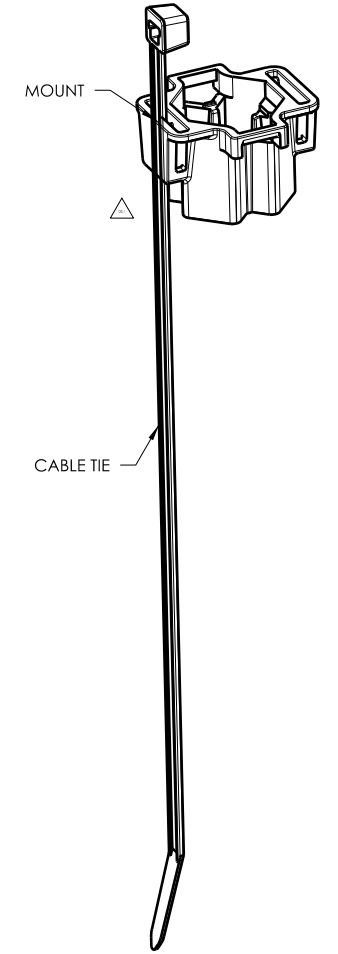
Revision Level			Revision Record	Changed	Date	Approved	Date
Drawing	State	Part					
03.1	Design Release	-	SEE ECN# 015244	JMC	6/25/19	KVH	6/25/19



ASSEMBLED EXAMPLE VIEW  
OPTION 1



ASSEMBLED EXAMPLE VIEW  
OPTION 2

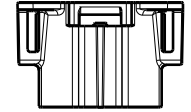
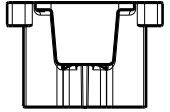
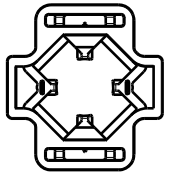


ASSEMBLED EXAMPLE VIEW  
OPTION 3

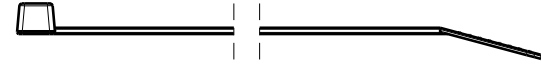
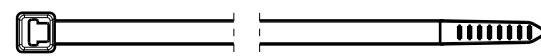
ANY BUNDLE SMALLER THAN 26MM HAVE A MAX TENSION OF 110N

MAX TENSION OF 150N

MAX TENSION OF 150N



MOUNT  
DELIVERY CONDITION: UNASSEMBLED SET



CABLE TIE  
DELIVERY CONDITION: UNASSEMBLED SET

GLOBAL PART DESCRIPTION	BUNDLE RANGE	CABLE TIES			MOUNT		
		DRAWING	MATERIAL	COLOR	DRAWING	MATERIAL	COLOR
T50R0SBS12-SET-PA66HIRHSUV-BK	10-45	CT2050007CST	PA66HIRHSUV	BLACK	19-0317-001-CSU	PA66HIRHSUV	BLACK

Material SEE CHART	Units millimeters	Tolerance defined on each dimension	The copyright of this drawing is reserved by HellermannTyton. It is issued on condition that it is not reproduced, copied or disclosed to a third party, either wholly or in part, without the consent of HellermannTyton.	Drawn	CJR	01/21/19	Article/Type-No	SEE CHART	Scale	1:1
				Approved	KVH	3/7/19	Title	M12 THREAD STUD MOUNT WITH T50R CABLE TIE	Project Number	19-0233
				<b>HellermannTyton</b>				Drawing-No	19-0233-101-CSU	PRODUCTION : Phase
				North America Email: corp@htamericas.com Web: www.hellermann.tyton.com				Sheet	1/1	