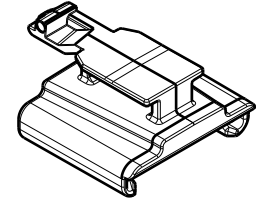
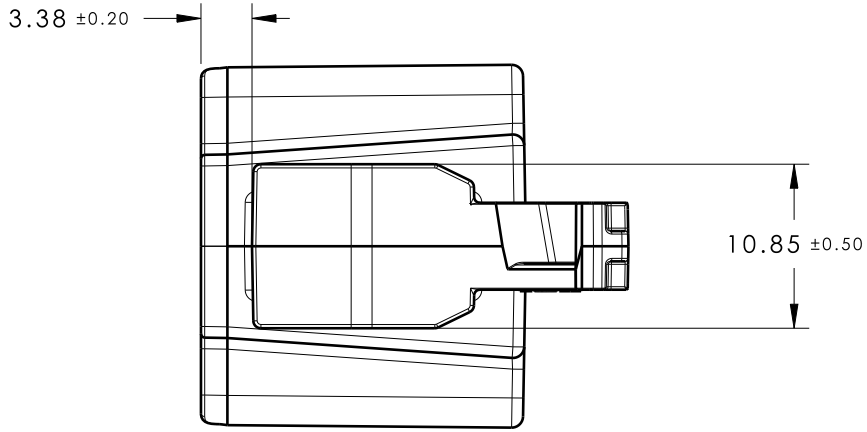
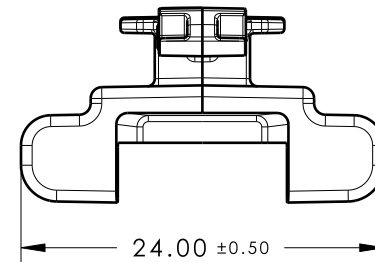
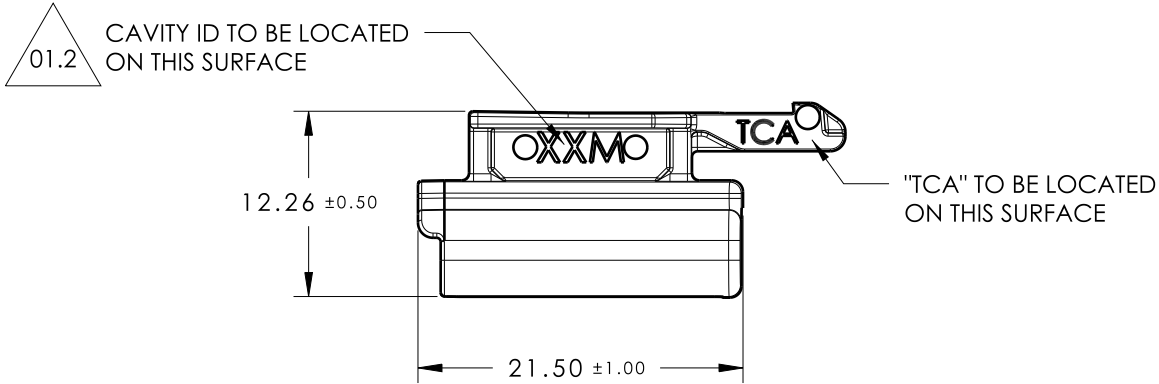


Revision Level			Revision Record	Changed	Date	Approved	Date
Drawing	State	Part					
01.2	Design Release	-	SEE ECN# 015234	HDC	06/23/19	NHK	06/23/19



ISOMETRIC VIEW
SCALE 1:1



REFERENCE:

1. MAXIMUM PERCENT REGRIND PERMISSIBLE: 25%
2. MAX ALLOWABLE FLASH TO BE: 0.25mm
3. MAX ALLOWABLE MISMATCH TO BE: 0.10mm
4. DESIGNED TO MEET PUSH ON/PULL OFF FORCES OF SAE/USCAR-2 FOR 11MM CONNECTOR CLIP

GLOBAL PART DESCRIPTION	MATERIAL	COLOR
23MM11MMCCADPT-POM-NA	POM	NAT

Material SEE CHART COLOR: SEE CHART	Units	millimeters	The copyright of this drawing is reserved by HellermannTyton. It is issued on condition that it is not reproduced, copied or disclosed to a third party, either wholly or in part, without the consent of HellermannTyton.	Drawn	HDC	12/14/18	Article/Type-No	23MM11MMCCADPT	Scale	2:1
	Tolerance defined on each dimension	Approved		NHK	01/02/19	Title	11mm TO 23mm ADAPTER	Project Number	18-2026	
		 North America Email: corp@htamericas.com Web: www.hellermann.tyton.com			Drawing-No	DEVELOPMENT : Phase	Format	AH		
					18-2026-001-CSU		Sheet	1/1		