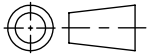
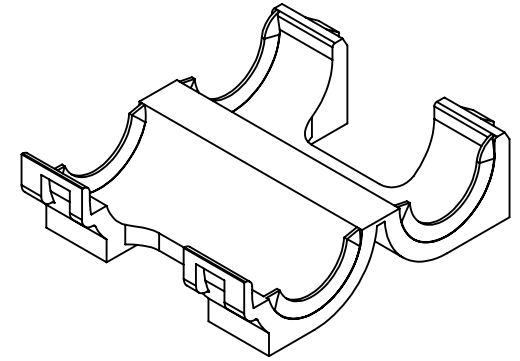
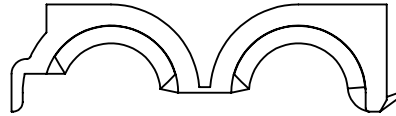


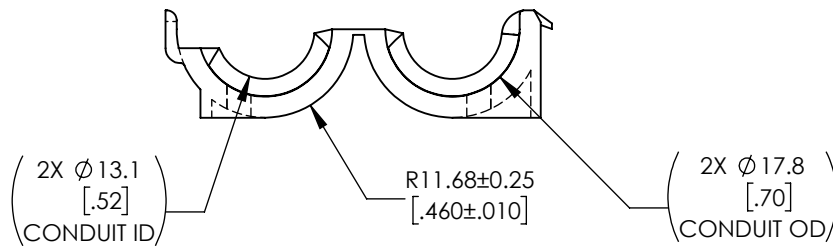
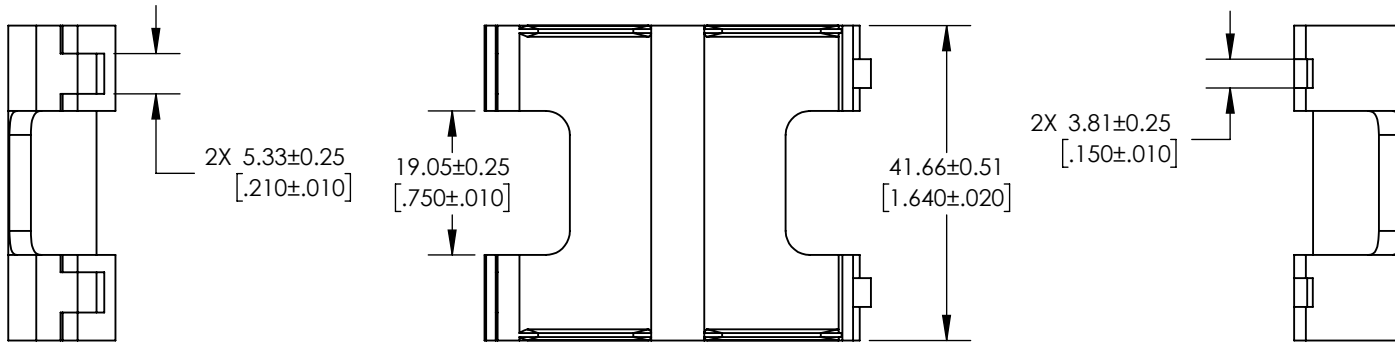
SW



Revision level			Revision Record	Changed	Date	Approved	Date
Drawing	State	Part					
00.1	Design Release	-	SEE ECN# 14605	CTF	08/24/2018	08/24/2018	08/24/2018



ISOMETRIC VIEW



GLOBAL PART DESCRIPTION	SUPERCEDES DCS PART NUMBER	FOR CONDUIT ID
CTHC-B55-PP-BK	08905793	12.52 [.493]

Material
PP IM BLK PER DCS
M2097001

Units: **millimeters**
Dimension without tolerances details to:
.xxx = ±.013
.xx = ±.13
.x = ±.3
None = ±.8
∠ = ±0.5°
Dimension Formatted mm/[in]

The copyright of this drawing is reserved by HellermannTyton. It is issued on condition that it is not reproduced, copied, or disclosed to a third party, either wholly or in part, without the consent of HellermannTyton.

Drawn	CTF	08/24/2018
Approved	KAC	08/24/2018

HellermannTyton
North America
Email: corp@htamericas.com
Web: www.hellermann.tyton.com

Article/Type-No CTHC-B55

Title **LOOM TUBING BREAKOUT**

Drawing-No PRODUCTION : Phase

18-2013-001-CSU

Scale 1:1

Project Number
PRP 18-2013

Format AH

Sheet 1/1