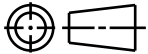
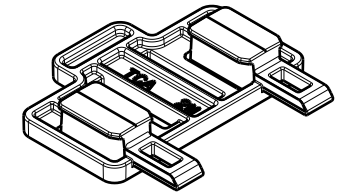
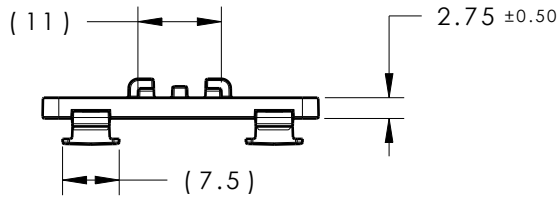


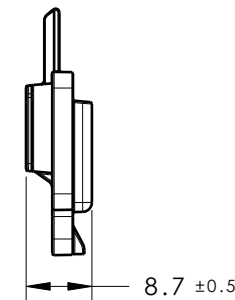
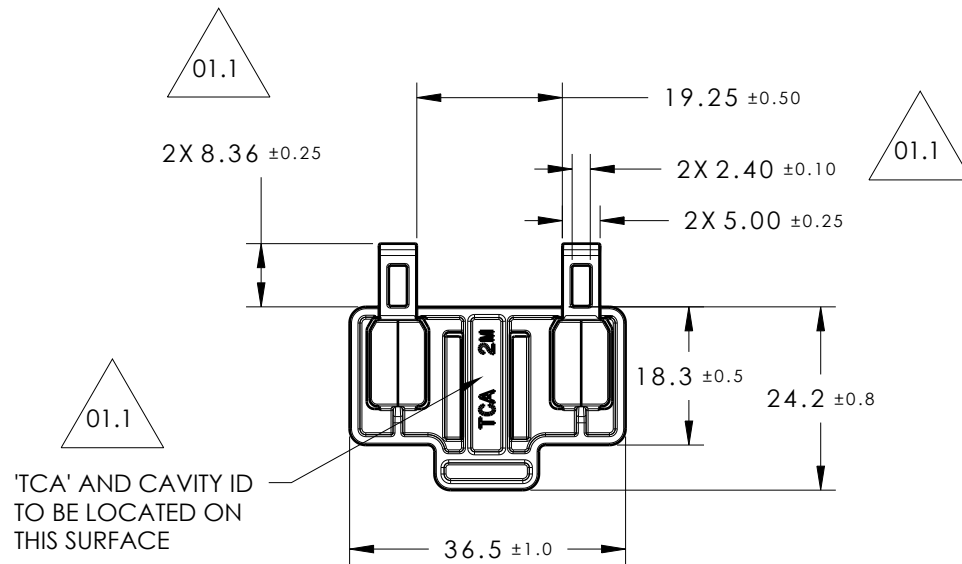
CATIA V5



Revision Level			Revision Record	Changed	Date	Approved	Date
Drawing	State	Part					
01.1	Design Release	-	SEE ECN# 014874	TAT	1/21/2019	EJF	1/21/2019



ISOMETRIC VIEW



PERFORMANCE REQUIREMENTST:

1. DESIGNED TO MEET PUSH ON/PULL OFF FORCES OF SAE/USCAR-2
2. FITS INTO USCAR CLIP SLOT SPECIFICATION EWCAP-005-7 (NOT A TEST SPEC.)
3. MAX ALLOWABLE FLASH TO BE: 0.5mm
4. MAX ALLOWABLE MISMATCH TO BE: 0.1mm

GLOBAL PART DESCRIPTION	COLOR	MATERIAL
DBLEFAKRA-POM-NAT	NATURAL	POM

Material SEE CHART COLOR: SEE CHART	Units	millimeters	The copyright of this drawing is reserved by HellermannTyton. It is issued on condition that it is not reproduced, copied or disclosed to a third party, either wholly or in part, without the consent of HellermannTyton.	Drawn	TAT	11/21/2018	Article/Type-No DBLEFAKRA	Scale	1:1						
	Tolerance defined on each dimension			Approved	EJF	11/21/2018		Title TWO 7mm CONNECTOR CLIPS WITH AN 11mm CONNECTOR SLOT	Project Number	18-0398					
							North America Email: corp@htamericas.com Web: www.hellermann.tyton.com			Drawing-No	PRODUCTION : Phase	Format	AH		
										18-0398-001-CSU			Sheet	1/1	