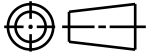
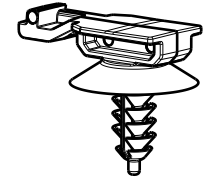


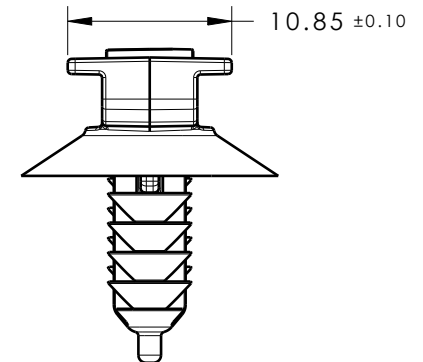
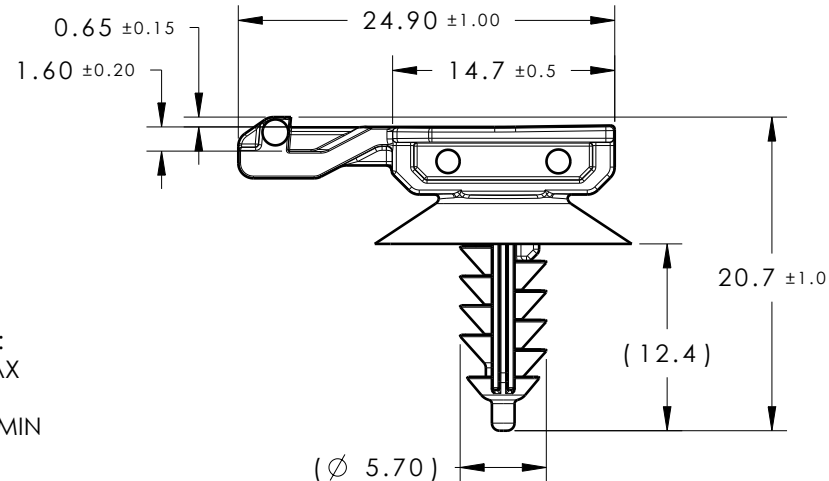
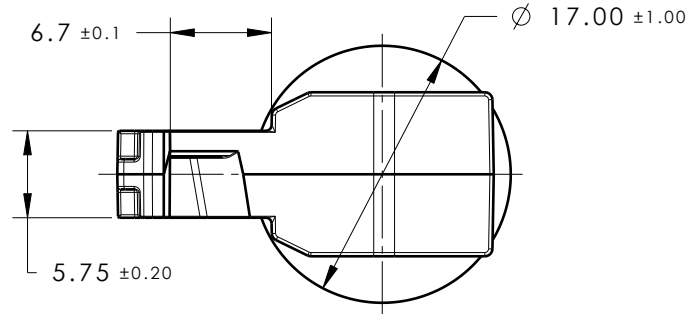
CATIA V5



Revision Level			Revision Record	Changed	Date	Approved	Date
Drawing	State	Part					
00.1	Design Release		SEE ECN# 014295	CJR	2/5/18	KVH	2/6/18



ISOMETRIC VIEW
SCALE 1;1



- REFERENCE:
PERFORMANCE REQUIREMENTS AT DRY AS MOLDED:
1. FIR TREE PUSH IN FORCE: 45 NEWTONS (10 LBS) MAX IN THE APPLICABLE NOMINAL HOLE SIZE.
 2. FIR TREE PULL OUT FORCE: 110 NEWTONS (25 LBS) MIN IN THE APPLICABLE NOMINAL HOLE SIZE.
 3. APPLICABLE HOLE SIZE:
 - A. M6 THREADED
 4. DESIGNED TO MEET PUSH ON/PULL OFF FORCES OF SAE/USCAR-2
 5. FITS INTO USCAR CLIP SLOT SPECIFICATION EWCAP-005-11 (NOT A TEST SPEC.)

GLOBAL PART NAME	MATERIAL	COLOR
CC11FTM6_PA66HIRHS_BLK	PA66HIRHS	BLACK
Article/Type-No CC11FTM6		Scale 2:1
Title M6 FIR TREE WITH EWCAP-005-11 CLIP SLOT		Project Number 18-0396
Drawing-No	PRODUCTION : Phase	Format AH
18-0396-001-CSU		Sheet 1/1

Material PA66HIRHS COLOR: BLACK

Units millimeters
Tolerance defined on each dimension

The copyright of this drawing is reserved by HellermannTyton. It is issued on condition that it is not reproduced, copied or disclosed to a third party, either wholly or in part, without the consent of HellermannTyton.

Drawn	CJR	11/7/17
Approved	KVH	2/5/18
HellermannTyton		
North America Email: corp@htamericas.com Web: www.hellermann.tyton.com		