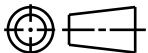
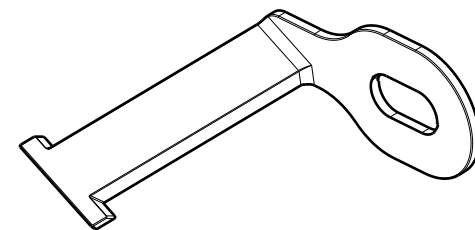
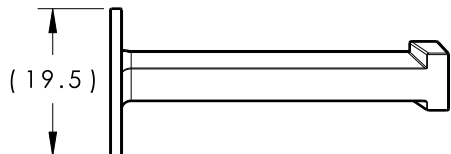


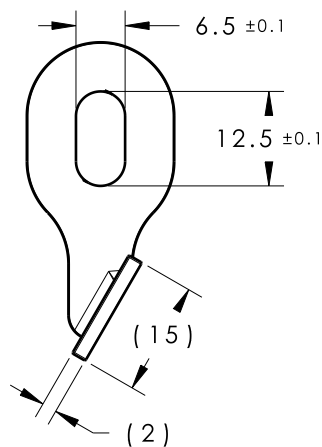
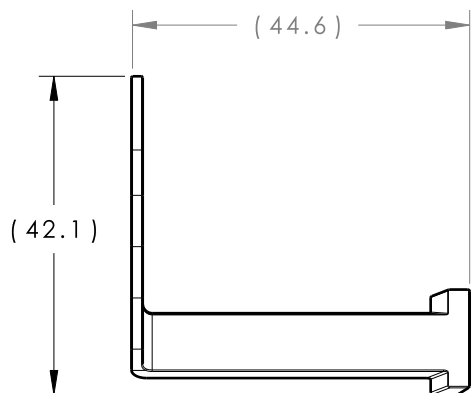
CATIA V5



Revision Level			Revision Record	Changed	Date	Approved	Date
Drawing	State	Part					
02.1	Design Release		SEE ECN# 014696	HDC	10/15/18	EJF	10/15/18



ISOMETRIC VIEW



PRODUCTION NOTES:

1. MAX ALLOWABLE FLASH TO BE: 0.25mm
2. MAX ALLOWABLE MISMATCH TO BE: 0.10mm

GLOBAL PART DESCRIPTION	MATERIAL	COLOR
TC90RHANGLE-POM-NT	CELCON M90	NATURAL

Material SEE CHART COLOR: SEE CHART	Units	millimeters	The copyright of this drawing is reserved by HellermannTyton. It is issued on condition that it is not reproduced, copied or disclosed to a third party, either wholly or in part, without the consent of HellermannTyton.	Drawn	HDC	11/03/17	Article/Type-No TC90RHANGLE	Scale	1:1	
	Tolerance defined on each dimension	Approved		EJF	11/03/17	Title RH 90 DEG TAPE CLIP WITH ANGLED OVAL		Project Number 17-2473		
							Drawing-No 17-2473-011-CSU		Format	AH
									Sheet	1/1

HellermannTyton

North America
Email: corp@htamericas.com
Web: www.hellermann.tyton.com

Drawing-No
17-2473-011-CSU

PRODUCTION : Phase