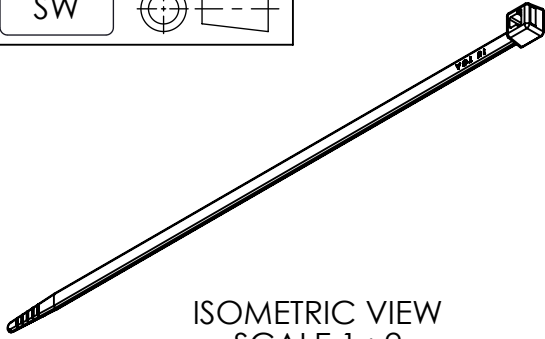
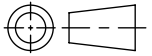
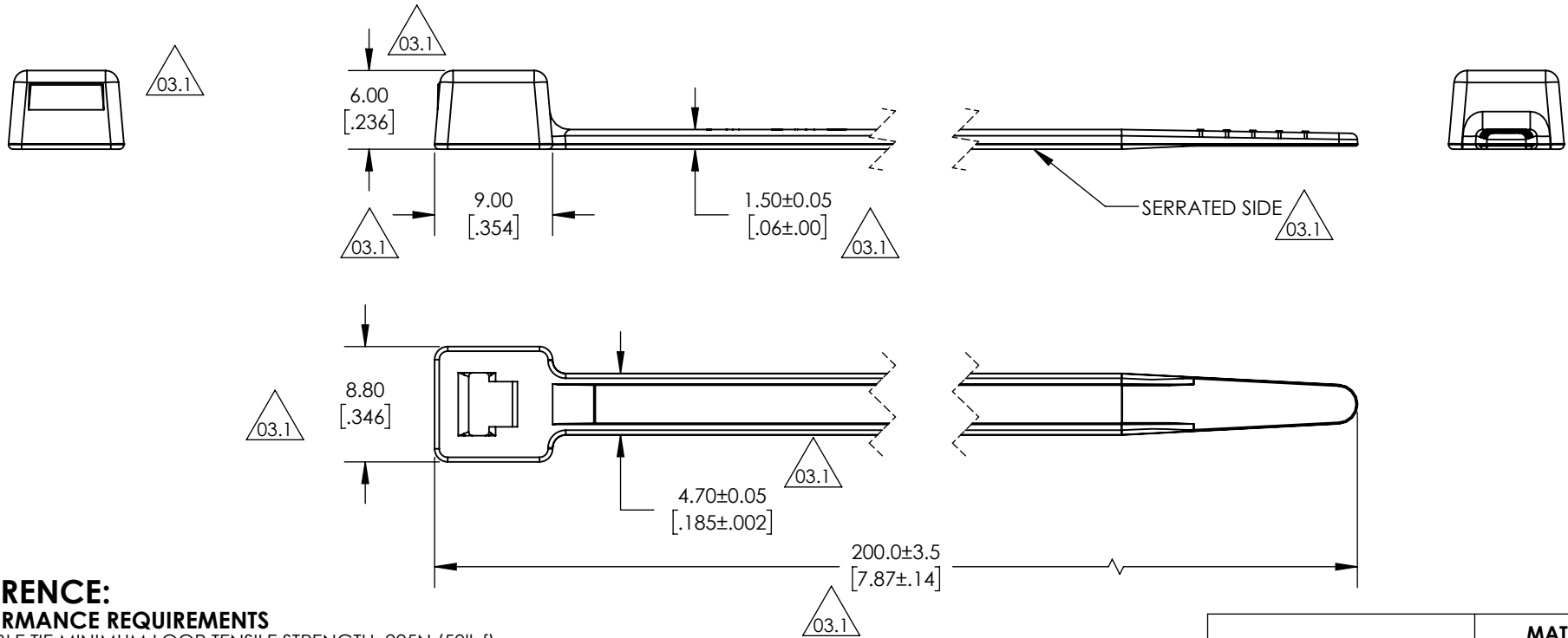


SW



ISOMETRIC VIEW  
SCALE 1 : 2

Revision level			Revision Record	Changed	Date	Approved	Date
Drawing	State	Part					
03.1	Design Release	-	SEE ECN# 015204	CTF	06/11/2019	GAL	06/11/2019



**REFERENCE:  
PERFORMANCE REQUIREMENTS**

1. CABLE TIE MINIMUM LOOP TENSILE STRENGTH: 225N (50lbf)
2. TOOL APPLICATION MAXIMUM TENSION FORCE: 79N (17lbf)
3. BUNDLE DIAMETER RANGE: 8mm TO 50mm
4. TEMPERATURE RANGE: -40°C to +140°C [-40°F to +284°F]
5. MAXIMUM PERCENT REGRIND PERMISSIBLE: 50%

GLOBAL PART DESCRIPTION	MATERIAL	
	TYPE	COLOR
T50R-PVDF-GY	PVDF	GRAY

Material SEE CHART	Units: <b>millimeters</b>	The copyright of this drawing is reserved by HellermannTyton. It is issued on condition that it is not reproduced, copied, or disclosed to a third party, either wholly or in part, without the consent of HellermannTyton.	Drawn	CTF	1/11/2019	Article/Type-No T50RPVDF	Scale	2:1	
	Dimension without tolerances details to: .xxx = ±.013 .xx = ±.13 .x = ±.3 None = ±.8 ∠ = ±0.5° Dimension Formatted mm/[in]		Approved	GAL	1/11/2019		Title	<b>STANDARD T50R CABLE TIE</b>	Project Number
			<b>HellermannTyton</b>			Drawing-No	Production : Phase	Format	AH
			North America Email: corp@htamericas.com Web: www.hellermann.tyton.com				<b>17-2468-001-CSU</b>	Sheet	1/1