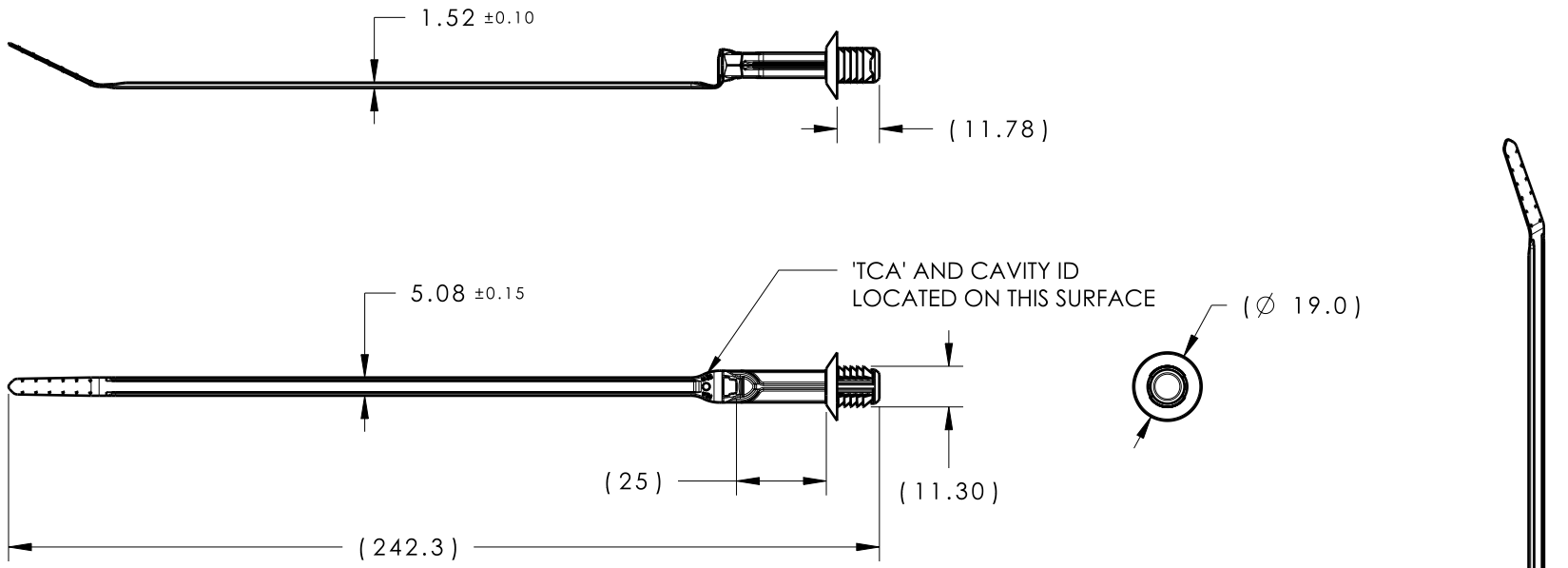
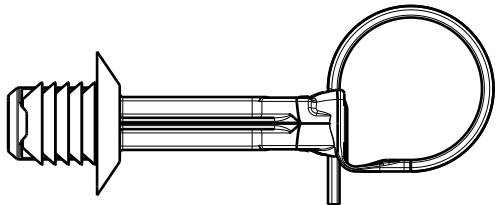


Revision Level			Revision Record	Changed	Date	Approved	Date
Drawing	State	Part					
02.1	Design Release		SEE ECN# 014974	TAT	3/4/2019	HDC	3/4/2019



- REFERENCE:
 PERFORMANCE REQUIREMENTS AT DRY AS MOLDED:
1. FIR TREE PUSH IN FORCE: 45 NEWTONS (10 LBS) MAX IN THE APPLICABLE NOMINAL HOLE SIZE AND A PLATE THICKNESS OF 1.8mm.
 2. FIR TREE PULL OUT FORCE: 110 NEWTONS (25 LBS) MIN IN THE APPLICABLE NOMINAL HOLE SIZE AND A PLATE THICKNESS OF 1.8mm.
 3. SHEET METAL THICKNESS RANGE: 0.60mm - 6.0mm
 4. APPLICABLE HOLE SIZE:
 A. 10.0mm +/- 0.4
 5. CABLE TIE MIN LOOP TENSILE STRENGTH: 225 NEWTONS (50 LBS)
 6. BUNDLE RANGE: 2.0mm TO 50mm
 7. MAXIMUM PERCENT REGRIND PERMISSIBLE: 25%
 8. MAX ALLOWABLE FLASH TO BE: 0.25mm
 9. MAX ALLOWABLE MISMATCH TO BE: 0.10mm



ASSEMBLY VIEW
SCALE 1:1



ISOMETRIC VIEW



GLOBAL PART DESCRIPTION	MATERIAL	COLOR
T50ROSFT1025SO-PA66HIRHSUV-BK	PA66HIRHSUV	BLACK

Material SEE CHART COLOR: SEE CHART 	Units millimeters Tolerance defined on each dimension	The copyright of this drawing is reserved by HellermannTyton. It is issued on condition that it is not reproduced, copied or disclosed to a third party, either wholly or in part, without the consent of HellermannTyton.	Drawn TAT 7/17/18	Article/Type-No T50ROSFT1025SO	Scale 1:2
	Approved HDC 7/17/18		Title T50ROS WITH 25MM OFFSET AND 10MM ROUND FIR TREE	Project Number 17-2111	
			Drawing-No PRODUCTION : Phase	Format AH	
	North America Email: corp@htamericas.com Web: www.hellermann.tyton.com		17-2111-002-CSU	Sheet 1/1	