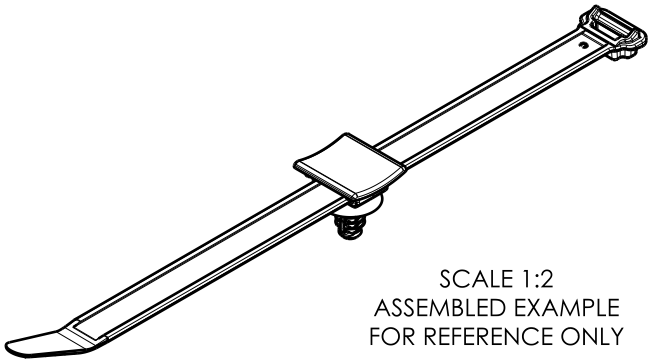
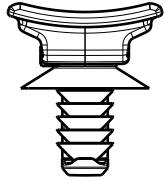
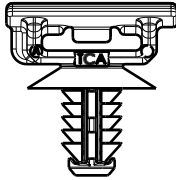
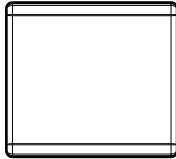
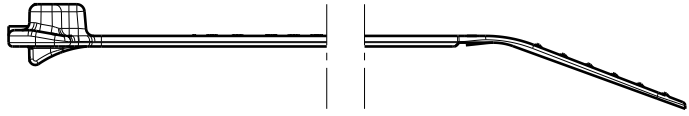
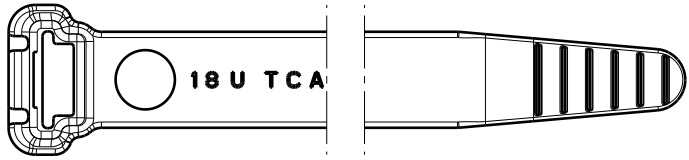


Revision Level			Revision Record	Changed	Date	Approved	Date
Drawing	State	Part					
00.2	Design Release		SEE ECN# 014127	HDC	10/23/17	EJH	10/23/17



SCALE 1:2
ASSEMBLED EXAMPLE
FOR REFERENCE ONLY

FTM8WSSD
DELIVERY CONDITION: UNASSEMBLED SET



WSS
DELIVERY CONDITION: UNASSEMBLED SET

GLOBAL PART NAME	BUNDLE RANGE	CABLE TIES			MOUNT		
		DRAWING	MATERIAL	COLOR	DRAWING	MATERIAL	COLOR
WSSFTM8WSSDSET-PA46-BR	N/A	CT2127004CST	PA46	BROWN	17-1598-001-CSU	PA46	BROWN
WSSDFTM8WSSDSET-PA66HIRHS-BK	N/A	CT2127004CST	PA66HIRHS	BLACK	17-1598-001-CSU	PA66HIRHS	BLACK

Material
SEE CHART
COLOR: SEE CHART

Units millimeters
Tolerance defined on each dimension

The copyright of this drawing is reserved by HellermannTyton. It is issued on condition that it is not reproduced, copied or disclosed to a third party, either wholly or in part, without the consent of HellermannTyton.

Drawn	HDC	10/10/17
Approved	EJH	10/10/17
HellermannTyton		
North America Email: corp@htamericas.com Web: www.hellermann.tyton.com		

Article/Type-No WSSDFTM8WSSDSET
Title SADDLE MOUNT WITH FT6.5/M8 AND T120 WIDE STRAP SET
Drawing-No PROTOTYPE : Phase
17-1596-001-CSU

Scale 1:1
Project Number 17-1596
Format AH
Sheet 1/1