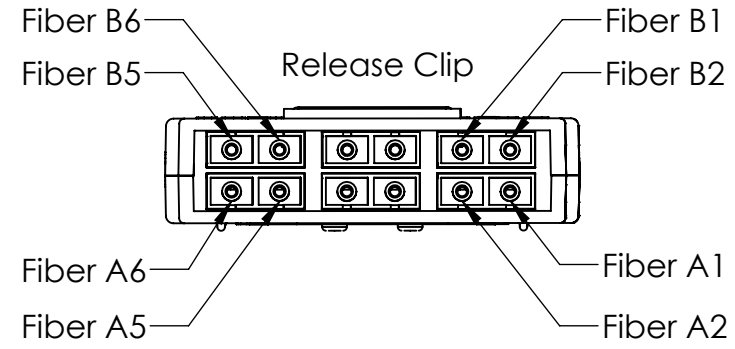
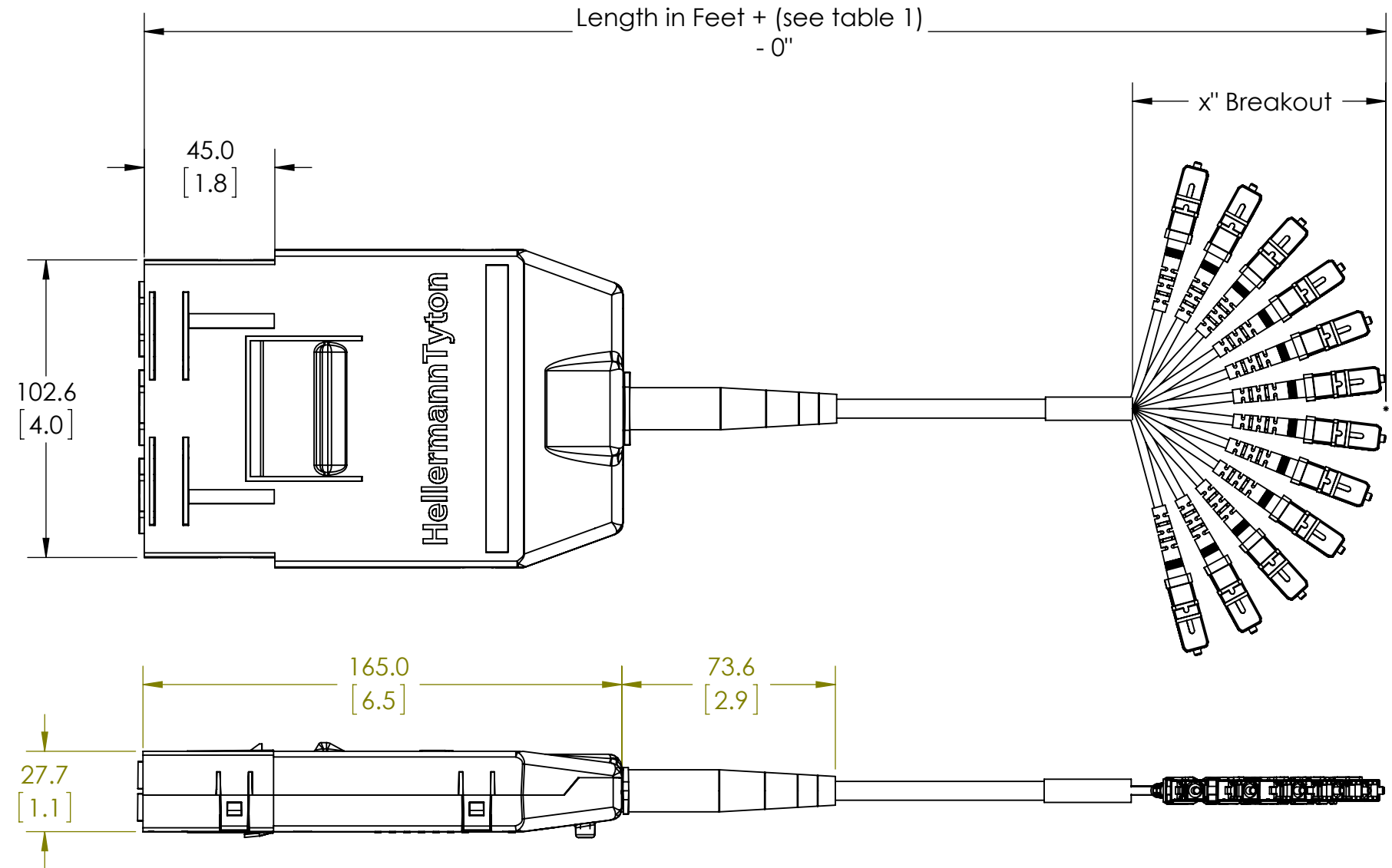


Revision level			Revision Record	Changed	Date	Approved	Date
Drawing	State	Part					
00.0	Design Release		SEE ECN# 014062	CAS	8-14-2017	KAC	8-14-2017

Length	Tolerance
≤ 10 Feet	+2"
> 10 Feet to 100 Feet	+6"
>100 Feet	+1%



End 1	End 2
A1	1
A2	2
A3	3
A4	4
A5	5
A6	6
B1	7
B2	8
B3	9
B4	10
B5	11
B6	12

Fiber Type	Insertion Loss	Return Loss	Adapter color
OM1 C	≤0.8dB	≤-25dB	Beige
OM2 B	≤0.8dB	≤-25dB	Beige
OM3 A	≤0.8dB	≤-25dB	Aqua
OM4 H	≤0.8dB	≤-25dB	Aqua
SM D	≤0.8dB	≤-55dB	Blue

RNGFxPSQA0xxx
 Fiber Type (See table 2) Length in feet

Notes
 1. Insertion Loss: Refer to table 2
 2. Return Loss: Refer to table 2
 3. Supplied with adapter dust caps
 4. Adapter color: Refer to table 2

Material
 Assembled

Units: millimeters
 Dimension without tolerances details to:
 .xxx = ±.013
 .xx = ±.13
 .x = ±.3
 None = ±.8
 < = ±0.5*
 Dimension Formatted mm/[in]

The copyright of this drawing is reserved by HellermannTyton. It is issued on condition that it is not reproduced, copied, or disclosed to a third party, either wholly or in part, without the consent of HellermannTyton.

Drawn CAS 8-14-2017
 Approved KAC 8-14-2017
HellermannTyton
 North America
 Email: corp@htamericas.com
 Web: www.hellermann.tyton.com

Article/Type-No RNGFxPSQA0xxx
 Title SC Cassette to SC 2mm pigtail, Straight, 12 fiber
 Drawing-No 17-1558-001-CSU
 Production : Phase
 Scale 1:5
 Project Number PRP17-1558
 Format B
 Sheet 1/1