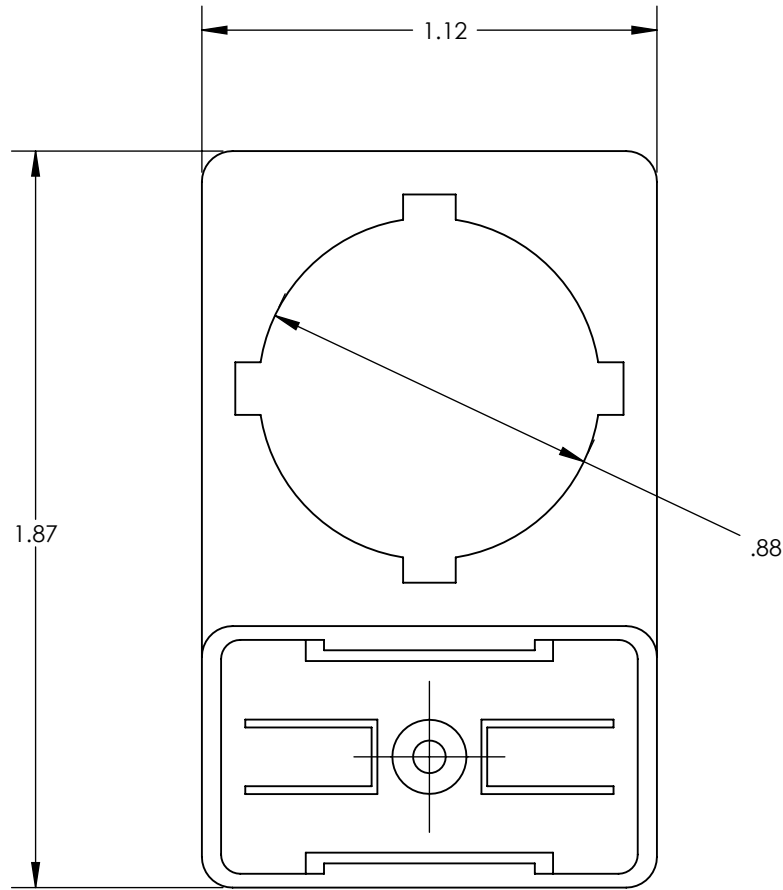


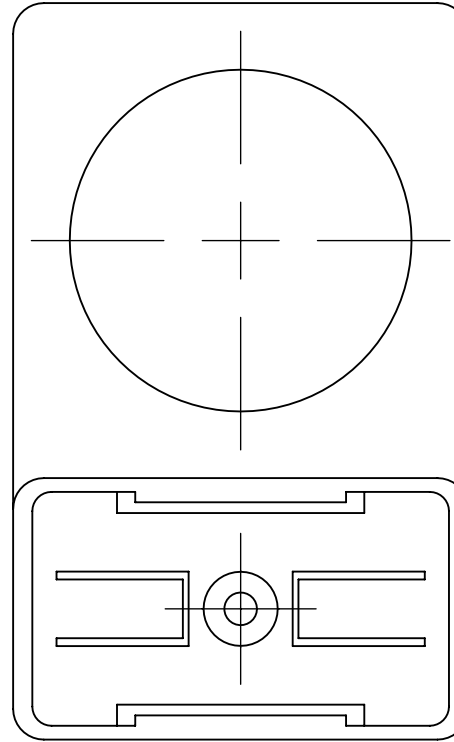
SW2015



Revision level			Revision Record	Changed	Date	Approved	Date
Drawing	State	Part					
01.1	Design Release		SEE ECN# 013740	CAS	2/21/2018	KAC	2/21/2018



PTSA-22



PTOA-22



- NOTES:
 1. ADHESIVE: ACRYLIC
 2. ADHESIVE OPERATING TEMPERATURE -22° F TO +266° F (-30° C TO +130° C)
 3. ROHS COMPLIANT
 4. FLAMMABILITY: UL94 V0



GLOBAL PART NAME	PART NUMBER	TYPE	LOCATORS	COLOR	QUANTITY
PTSA-22-PC-BK	596-00189	PTSA-22	YES	BLACK	100
PTOA-22-PC-BK	596-00190	PTOA-22	NO		

Material
POLYCARBONATE

Units: **inches**
 Dimension without tolerances details to:
 .xxxx = ±.0005
 .xxx = ±.005
 .xx = ±.01
 .x = ±.03
 None = ±.06
 < = ±0.5°
 Dimension Formatted in [mm]

The copyright of this drawing is reserved by HellermannTyton. It is issued on condition that it is not reproduced, copied, or disclosed to a third party, either wholly or in part, without the consent of HellermannTyton.

Drawn GRW 3/2/2017
 Approved KAC 3/2/2017
HellermannTyton
 North America
 Email: corp@htamericas.com
 Web: www.hellermann.tyton.com

Article/Type-No PTSA-22 & PTOA-22
 Title **PLASTIC BUTTON NAMEPLATE BASE**
 Drawing-No PRODUCTION : Phase
17-0707-001-CSU

Scale
 Project Number PRP 17-0707
 Format AH
 Sheet 1/1