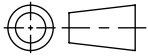
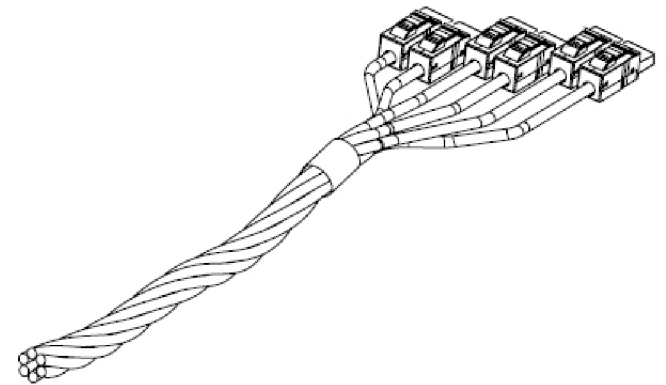
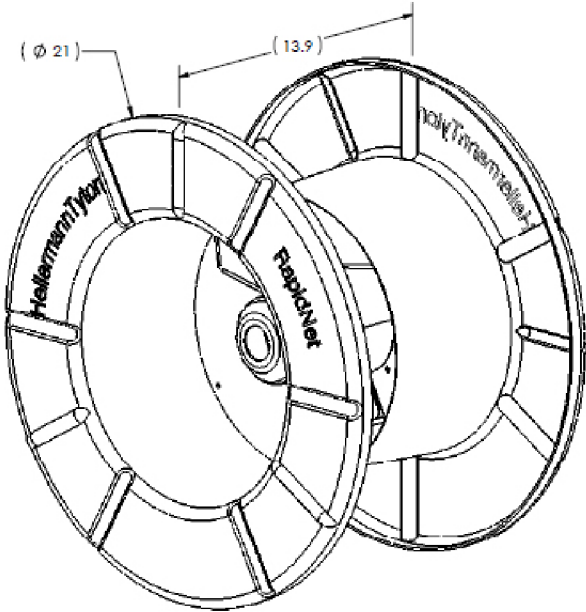


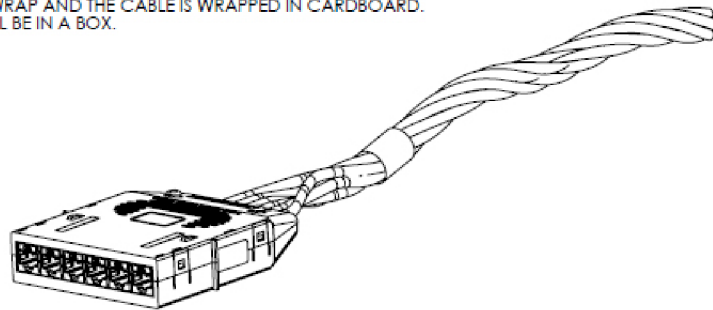
SW2014



Revision level			Revision Record	Changed	Date	Approved	Date
Drawing	State	Part					
00.0	Design Release		SEE ECN# 013667	GRW	1/16/2017	KAC	1/16/2017

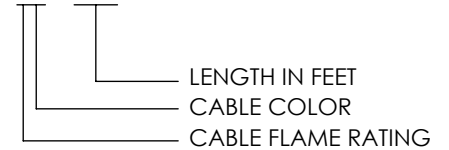


CABLE ASSEMBLIES LONGER THAN 75FEET WILL BE WOUND ONTO A SPOOL.  
 THE ENDS ARE PROTECTED WITH BUBBLE WRAP AND THE CABLE IS WRAPPED IN CARDBOARD.  
 CABLE ASSEMBLIES LESS THAN 75 FEET WILL BE IN A BOX.



PRODUCT DESCRIPTION:

RNGC6CPBCPXXX



Material  
ASSEMBLED

Units: **inches**  
 Dimension without tolerances details to:  
 .xxxx = ±.0005  
 .xxx = ±.005  
 .xx = ±.01  
 .x = ±.03  
 None = ±.06  
 < = ±0.5°  
 Dimension Formatted in[mm]

The copyright of this drawing is reserved by HellermannTyton. It is issued on condition that it is not reproduced, copied, or disclosed to a third party, either wholly or in part, without the consent of HellermannTyton.

Drawn	GRW	1/16/2017
Approved	KAC	1/16/2017

**HellermannTyton**  
 North America  
 Email: corp@htamericas.com  
 Web: www.hellermann.tyton.com

Article/Type-No	RNGC6CPBCPXXX
Title	<b>RAPIDNET LOOM CAT6A F/UTP CASSETTE TO PLUG</b>
Drawing-No	<b>17-0108-001-CSU</b>
PRODUCTION : Phase	

Scale  
 Project Number  
PRP 17-0108  
 Format AH  
 Sheet 1/1