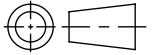
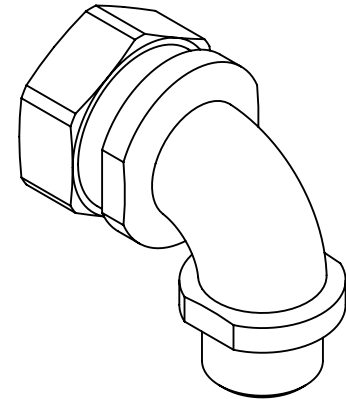
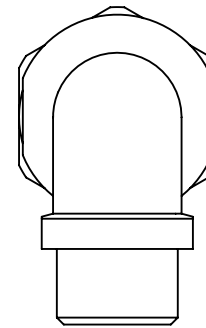
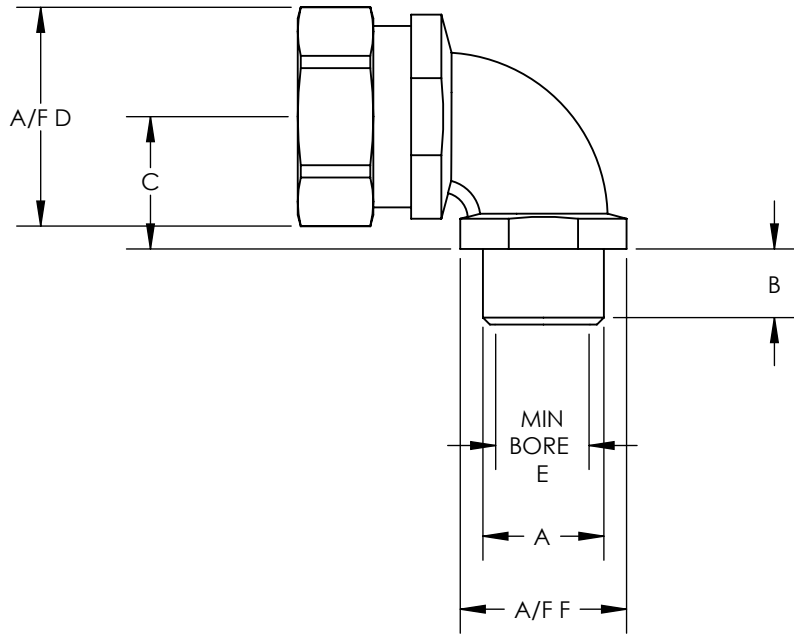


SW2014



Revision level			Revision Record	Changed	Date	Approved	Date
Drawing	State	Part					
00.0	Design Release		SEE ECN# 013633	GRW	11/29/2016	KAC	11/29/2016



- NOTES:
 1. OPERATING TEMPERATURE
 -58° F TO +275° F (-50° C TO +135° C)
 2. RoHS
 3. HF
 4. IP RATING IP65
 5. FLAMMABILITY SELF-EXTINGUISHING
 (EN 61386)

Conduit Size		HellermannTyton Part Number	Manufacturer Reference Number	Metric Thread	Dimension (mm)									
					A		B		C		D		E	
in.	mm				in.	mm	in.	mm	in.	mm	in.	mm	in.	mm
5/16	12.0	FSU12-M16-C90	FSU12-M16-C90	M16 X 1.5	0.39	10.0	0.69	17.5	0.87	22.0	0.34	8.6	0.79	20.0
3/8	16.0	FSU16-M16-C90	FSU16-M16-C90	M16 X 1.5	0.39	10.0	0.69	17.5	1.02	26.0	0.45	11.5	0.79	20.0
3/8	16.0	FSU16-M20-C90	FSU16-M20-C90	M20 X 1.5	0.51	13.0	0.79	20.0	1.02	26.0	0.45	11.5	0.94	24.0
1/2	20.0	FSU20-M20-C90	FSU20-M20-C90	M20 X 1.5	0.51	13.0	0.79	20.0	1.14	29.0	0.60	15.3	0.94	24.0
3/4	25.0	FSU25-M25-C90	FSU25-M25-C90	M25 X 1.5	0.55	14.0	1.00	25.3	1.38	35.0	0.75	19.1	1.18	30.0
1	32.0	FSU32-M32-C90	FSU32-M32-C90	M32 X 1.5	0.59	15.0	1.22	31.0	1.65	42.0	1.02	26.0	1.42	36.0

Material
 NICKEL PLATED BRASS
 & POLYAMIDE 6

Units: inches
 Dimension without
 tolerances details to:
 .xxxx = ±.0005
 .xxx = ±.005
 .xx = ±.01
 .x = ±.03
 None = ±.06
 < = ±0.5°
 Dimension Formatted in/[mm]

The copyright of this
 drawing is reserved by
 HellermannTyton. It is
 issued on condition that it is
 not reproduced, copied, or
 disclosed to a third party,
 either wholly or in part,
 without the consent of
 HellermannTyton.

Drawn GRW 11/29/2016
 Approved KAC 11/29/2016
HellermannTyton
 North America
 Email: corp@htamericas.com
 Web: www.hellermann.tyton.com

Article/Type-No FSU-C90 SERIES
 Title HELAGUARD FIXED THREAD 90 DEGREE ELBOW
 COMPRESSION FITTING FOR FSU METALLIC
 CONDUITS WITH JACKETED COVER
 Drawing-No PRODUCTION : Phase
16-1976-001-CSU

Scale
 Project Number PRP 16-1976
 Format AH
 Sheet 1/1