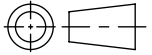
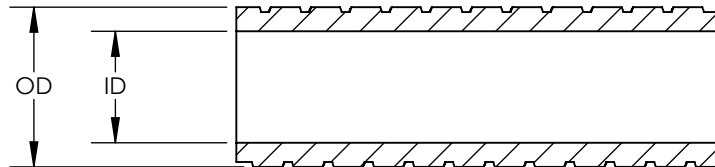
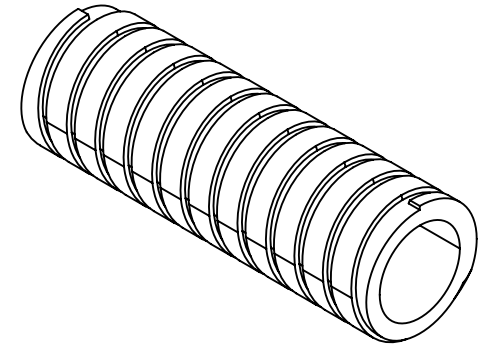
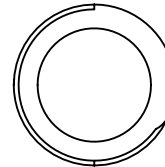
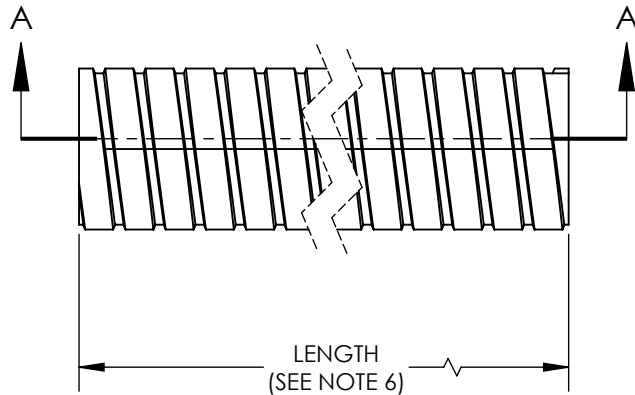


SW2014



Revision level			Revision Record	Changed	Date	Approved	Date
Drawing	State	Part					
00.0	Design Release		SEE ECN# 013638	GRW	11/30/2016	KAC	11/30/2016



SECTION A-A

- NOTES:
1. LOW FIRE HAZARD COVER RATED UL94 V0
 2. HALOGEN FREE
 3. OPERATING TEMPERATURE -40° F TO +212 ° F (-40° C TO +100° C)
 4. RoHS
 5. USE WITH HELAGUARD FSU METALLIC FITTINGS FOR IP65 PERFORMANCE
 6. CONSULT FACTORY OR WEBSITE FOR AVAILABLE LENGTHS

Conduit Nominal Size		HellermannTyton Item Number	Man'f Part Reference	Outside Dimension (OD)		Inside Dimension (ID)		Minimum Bend Radius	
inches	mm			in	mm	in	mm	in	mm
1/4	10.0	LTP10#-50M	LTP10#	0.46	11.8	0.28	7.0	1.38	35.0
5/16	12.0	LTP12#-50M	LTP12#	0.56	14.2	0.39	10.0	1.57	40.0
3/8	16.0	LTP16#-25M	LTP16#	0.70	17.8	0.50	12.6	1.77	45.0
1/2	20.0	LTP20#-25M	LTP20#	0.83	21.1	0.63	16.0	2.56	65.0
3/4	25.0	LTP25#-25M	LTP25#	1.04	26.4	0.83	21.0	3.94	100.0
1	32.0	LTP32#-25M	LTP32#	1.30	33.1	1.04	26.5	5.31	135.0
1-1/4	40.0	LTP40#-10M	LTP40#	1.65	41.8	1.39	35.4	6.89	175.0
1-1/2	50.0	LTP50#-10M	LTP50#	1.89	47.9	1.59	40.4	9.05	230.0
2	63.0	LTP63#-10M	LTP63#	2.35	59.7	2.03	51.6	11.02	280.0

Material GALVANIZED STEEL & POLYURETHANE	Units: inches Dimension without tolerances details to: .xxxx = ±.0005 .xxx = ±.005 .xx = ±.01 .x = ±.03 None = ±.06 ∠ = ±0.5° Dimension Formatted in/[mm]	The copyright of this drawing is reserved by HellermannTyton. It is issued on condition that it is not reproduced, copied, or disclosed to a third party, either wholly or in part, without the consent of HellermannTyton.	Drawn GRW 11/30/2016	Article/Type-No FPU SERIES	Title HELAGUARD FLEXIBLE METALLIC GALVANIZED STEEL CONDUIT, POLYURETHANE COVER	Scale	
	Approved KAC 11/30/2016		Project Number PRP 16-1650				
	HellermannTyton North America Email: corp@htamericas.com Web: www.hellermann.tyton.com		Drawing-No 16-1650-001-CSU			Format AH	
			PRODUCTION : Phase			Sheet 1/1	