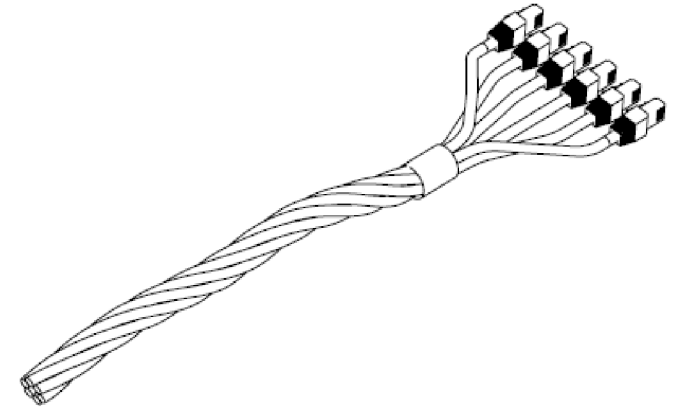
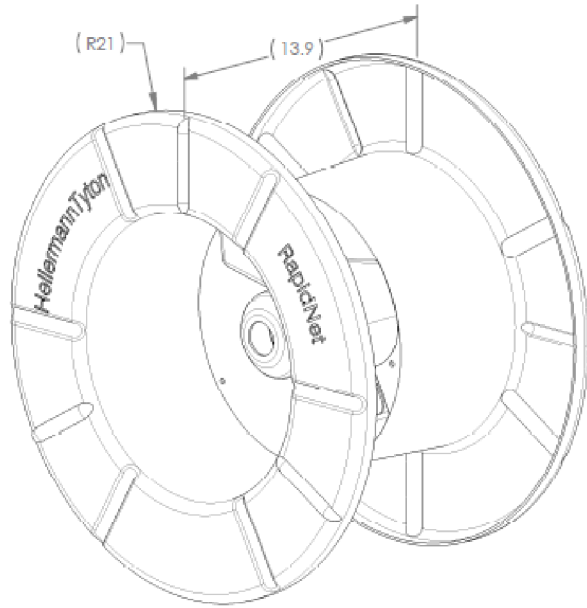


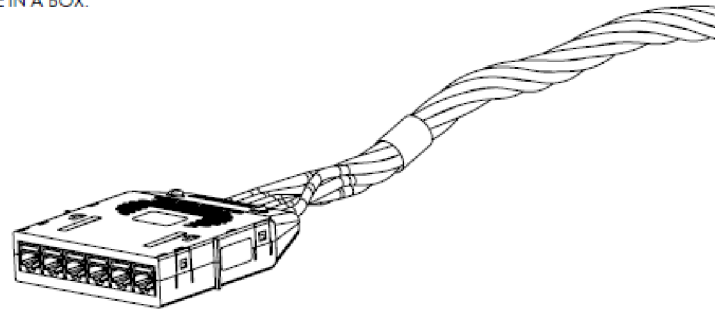
SW2014



Revision level			Revision Record	Changed	Date	Approved	Date
Drawing	State	Part					
00.0	Design Release		SEE ECN# 013529	GRW	8/22/2016	KAC	8/22/2016

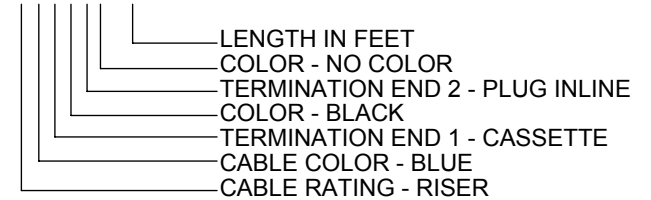


CABLE ASSEMBLIES LONGER THAN 75 FEET WILL BE WOUND ONTO A SPOOL. THE ENDS ARE PROTECTED WITH BUBBLE WRAP AND THE CABLE IS WRAPPED IN CARDBOARD. CABLE ASSEMBLIES LESS THAN 75 FEET WILL BE IN A BOX.



PRODUCT DESCRIPTION:

RNC6ARBCKTZXXX



NOTES

- 1) PART NUMBER "RNC6ARBCKTZXXX": XXX = 10' - 295'
- 2) PRODUCT IS FULLY ASSEMBLED AND TESTED. READY TO INSTALL
- 3) CASSETTE SNAPS INTO RAPIDNET RACK MOUNT.

Material ASSEMBLED	Units: millimeters	The copyright of this drawing is reserved by HellermannTyton. It is issued on condition that it is not reproduced, copied, or disclosed to a third party, either wholly or in part, without the consent of HellermannTyton.	Drawn	GRW	8/22/2016	Article/Type-No	904-00930 / RNC6ARBCKTZXXX	Scale	1:1
	Dimension without tolerances details to: .XXX = ±.013 .XX = ±.13 .X = ±.3 None = ±.8 ∠ = ±0.5° Dimension Formatted mm/[in]		Approved	KAC	8/22/2016	Title	RAPIDNET CAT6 UTP RNC CASSETTE TO PLUG INLINE	Project Number	PRP 16-1337
	<p>North America Email: corp@htamericas.com Web: www.hellermann.tyton.com</p>			Drawing-No	PRODUCTION : Phase		Format	AH	
				16-1337-001-CSU			Sheet	1/1	