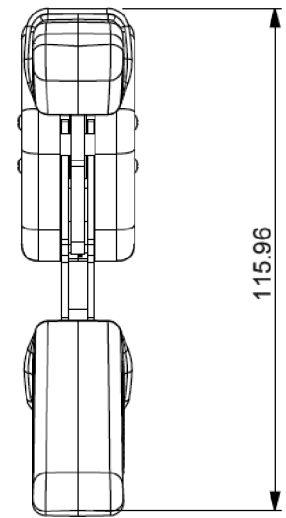
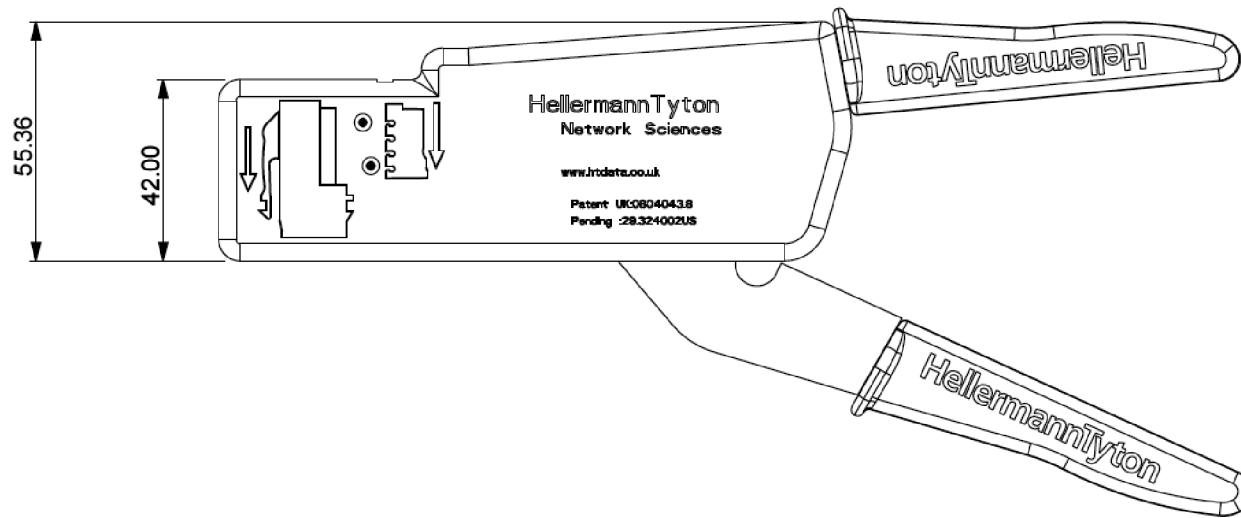
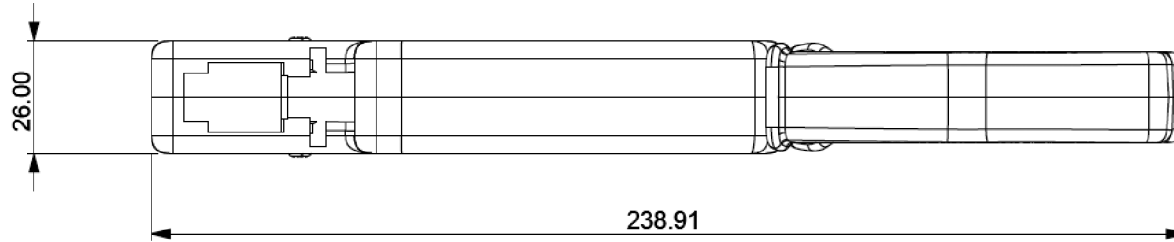


SW2014



Revision level			Revision Record	Changed	Date	Approved	Date
Drawing	State	Part					
01.1	Design Release		SEE ECN# 013489	GRW	7/6/2016	KAC	7/6/2016



Material
STEEL

Units: **millimeters**
 Dimension without tolerances details to:
 .XXX = ±.013
 .XX = ±.13
 .X = ±.3
 None = ±.8
 < = ±0.5°
 Dimension Formatted mm/[in]

The copyright of this drawing is reserved by HellermannTyton. It is issued on condition that it is not reproduced, copied, or disclosed to a third party, either wholly or in part, without the consent of HellermannTyton.

Drawn	GRW	7/5/2016
Approved	KAC	7/5/2016

HellermannTyton
 North America
 Email: corp@htamericas.com
 Web: www.hellermann.tyton.com

Article/Type-No 854-40195 / HT-KSJ08S-TT
 Title **JACK TERMINATION TOOL**
 Drawing-No PRODUCTION : Phase
16-1282-001-CSU

Scale 1:1
 Project Number PRP 16-1282
 Format AH
 Sheet 1/1