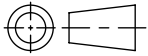
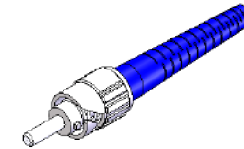


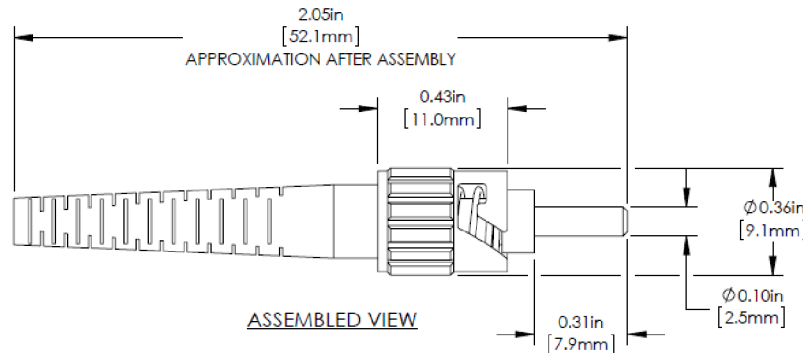
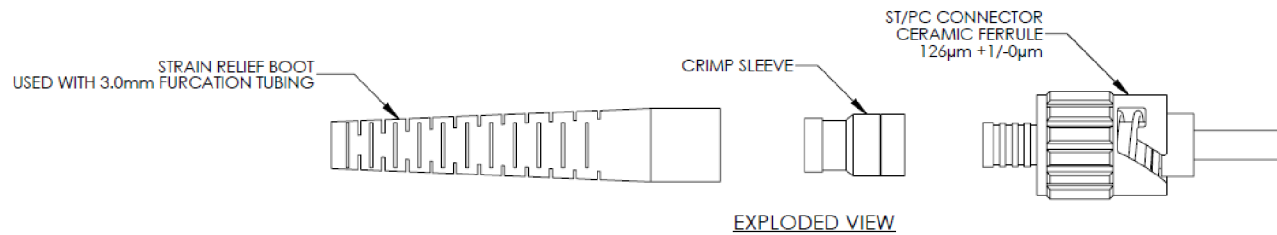
SW2014



Revision level			Revision Record	Changed	Date	Approved	Date
Drawing	State	Part					
00.0	Design Release		SEE ECN# 013484	GRW	6/30/2016	KAC	6/30/2016



ISOMETRIC VIEW  
SCALE 1:1



Type #	Mode	UM	Article #
PFCSTSM	SINGLE	9/125	855-14212
PFCST50	MULTI	50/125	855-14210
PFCST10G	MULTI	50/125	855-14213
PFCST	MULTI	62.5/125	855-14211

Material  
ASSEMBLED

Units: **inches**  
Dimension without tolerances details to:  
.xxxx = ±.0005  
.xxx = ±.005  
.xx = ±.01  
.x = ±.03  
None = ±.06  
∠ = ±0.5°  
Dimension Formatted in/[mm]

The copyright of this drawing is reserved by HellermannTyton. It is issued on condition that it is not reproduced, copied, or disclosed to a third party, either wholly or in part, without the consent of HellermannTyton.

Drawn GRW 6/29/2016  
Approved KAC 6/29/2016  
**HellermannTyton**  
North America  
Email: corp@htamericas.com  
Web: www.hellermann.tyton.com

Article/Type-No PFCST\_  
Title **PRE-POLISHED ST FIBER CONNECTOR**  
Drawing-No PRODUCTION : Phase  
**16-1273-001-CSU**

Scale 1:1  
Project Number PRP 16-1273  
Format AH  
Sheet 1/1