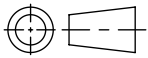
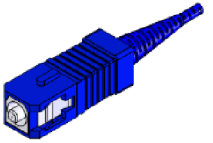
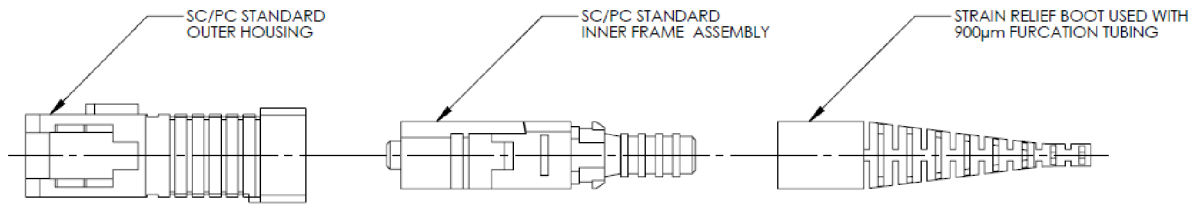


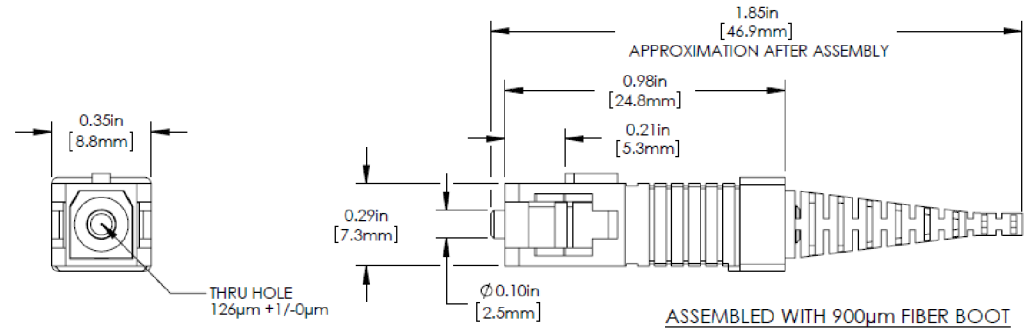
SW2014



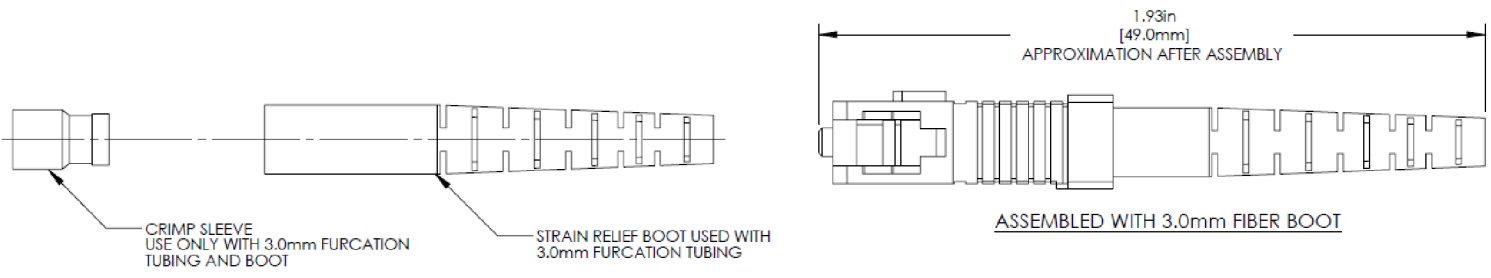
Revision level			Revision Record	Changed	Date	Approved	Date
Drawing	State	Part					
00.0	Design Release		SEE ECN# 013484	GRW	6/30/2016	KAC	6/30/2016



ISOMETRIC VIEW
SCALE 1:1



ASSEMBLED WITH 900µm FIBER BOOT



ASSEMBLED WITH 3.0mm FIBER BOOT

Type #	Mode	UM	Article #
PFCSCSM	SINGLE	9/125	855-14216
PFCSC50	MULTI	50/125	855-14214
PFCSC10G	MULTI	50/125	855-14217
PFCSC	MULTI	62.5/125	855-14215

Material
ASSEMBLED

Units: **inches**
 Dimension without tolerances details to:
 .xxxx = ±.0005
 .xxx = ±.005
 .xx = ±.01
 .x = ±.03
 None = ±.06
 ∠ = ±0.5°
 Dimension Formatted in [mm]

The copyright of this drawing is reserved by HellermannTyton. It is issued on condition that it is not reproduced, copied, or disclosed to a third party, either wholly or in part, without the consent of HellermannTyton.

Drawn	GRW	6/29/2016
Approved	KAC	6/29/2016

HellermannTyton
 North America
 Email: corp@htamericas.com
 Web: www.hellermann.tyton.com

Article/Type-No PFCSC_
PRE-POLISHED SC FIBER CONNECTOR
 Drawing-No PRODUCTION : Phase
16-1272-001-CSU

Scale 1:1
 Project Number PRP 16-1272
 Format AH
 Sheet 1/1