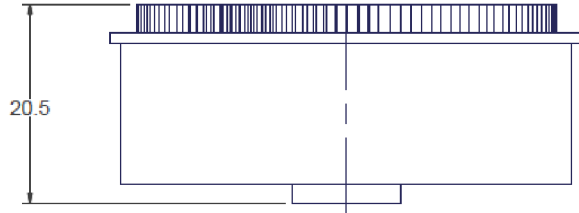


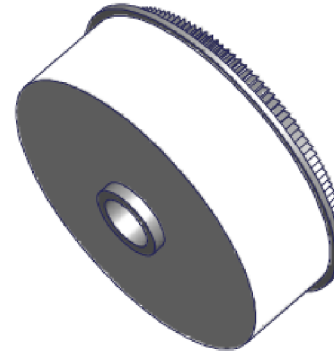
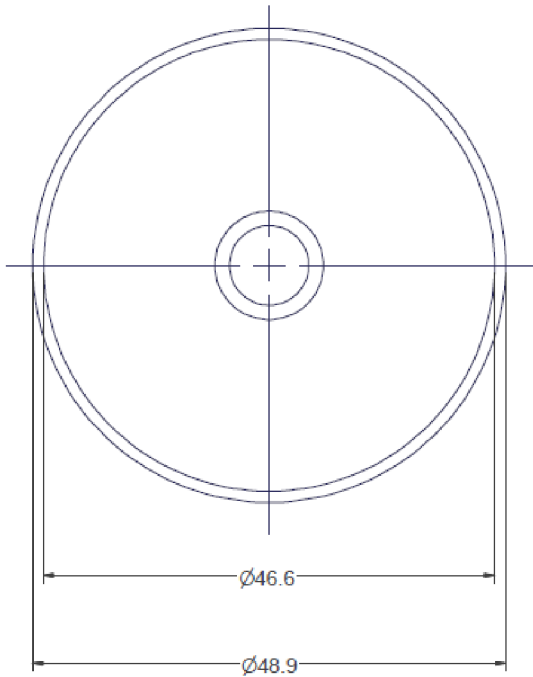
SW2014



Revision level			Revision Record	Changed	Date	Approved	Date
Drawing	State	Part					
00.0	Design Release		SEE ECN# 013482	GRW	6/29/2016	KAC	6/29/2016



PRODUCT DESCRIPTION	
CONSTRUCTION	CLOTH ON A REEL
MAIN UNIT DIMENSIONS	49 DIA X 19.2 (SINGLE REEL)
CLOTH DIMENSIONS	(L)13m X (W)16mm
PACKAGING	6 REELS/BOX (With installation instructions)
DIMENSIONS	153 X 103 X 25 mm
WEIGHT	140 GRAMS



Material
ANTI-STATIC CLOTH

Units: **millimeters**
 Dimension without tolerances details to:
 .xxx = ±.013
 .xx = ±.13
 .x = ±.3
 None = ±.8
 < = ±0.5°
 Dimension Formatted mm/[in]

The copyright of this drawing is reserved by HellermannTyton. It is issued on condition that it is not reproduced, copied, or disclosed to a third party, either wholly or in part, without the consent of HellermannTyton.

Drawn GRW 6/28/2016
 Approved KAC 6/28/2016
HellermannTyton
 North America
 Email: corp@htamericas.com
 Web: www.hellermann.tyton.com

Article/Type-No 855-49210 / FCRCREF

Title **REEL CLEANER REFILL - 6 PACK**

Drawing-No **16-1256-001-CSU**
 PRODUCTION : Phase

Scale 1:1
 Project Number PRP 16-1256
 Format AH
 Sheet 1/1