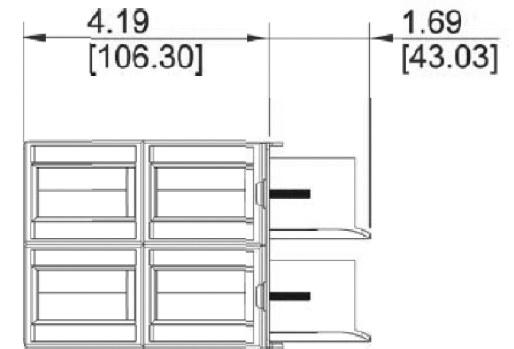
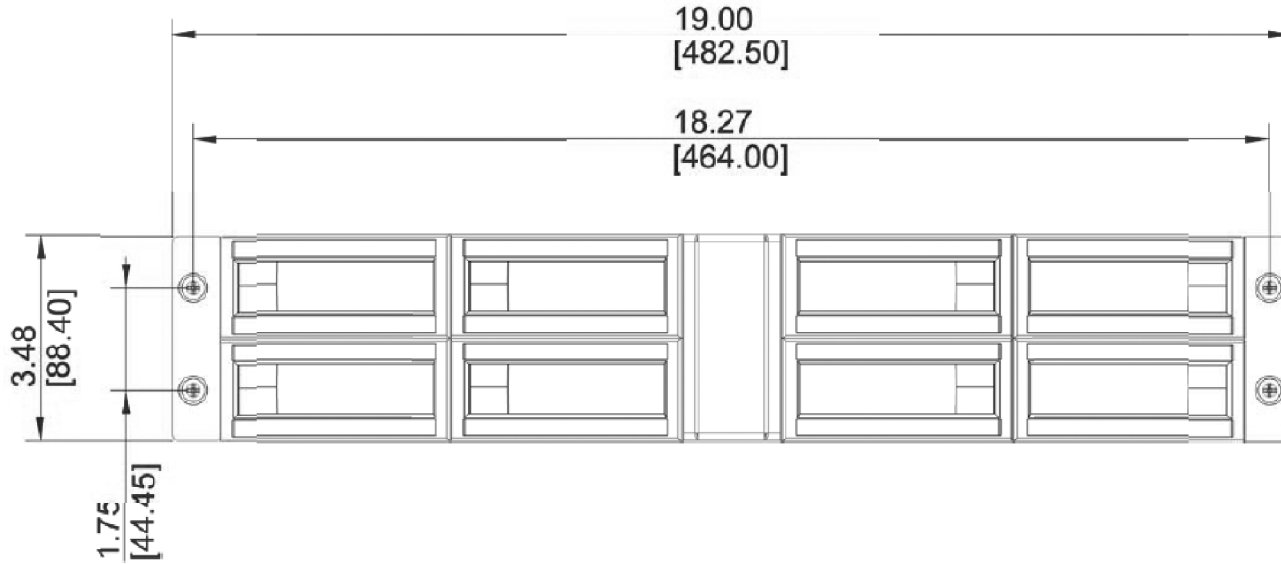
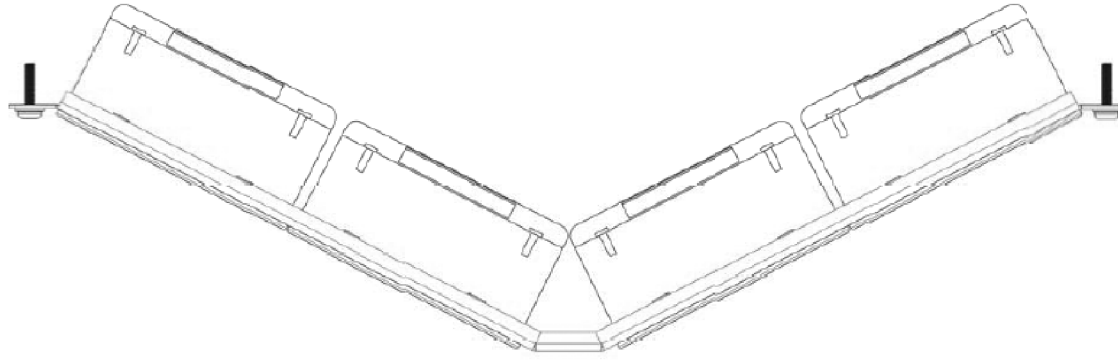


SW2014



Revision level			Revision Record	Changed	Date	Approved	Date
Drawing	State	Part					
00.0	Design Release		SEE ECN# 013462	GRW	6/2/2016	KAC	6/2/2016



Material
1.6mm Powder Coated
Mild Steel

Units: **millimeters**
Dimension without
tolerances details to:
.xxx = ±.013
.xx = ±.13
.x = ±.3
None = ±.8
∠ = ±0.5°
Dimension Formatted mm/[in]

The copyright of this
drawing is reserved by
HellermannTyton. It is
issued on condition that it is
not reproduced, copied, or
disclosed to a third party,
either wholly or in part,
without the consent of
HellermannTyton.

Drawn	GRW	6/1/2016
Approved	KAC	6/1/2016

HellermannTyton
North America
Email: corp@htamericas.com
Web: www.hellermann.tyton.com

Article/Type-No 859-30064 / RNSAPP2U
Title **RNS ANGLED MODULAR
PANEL, 2U**
Drawing-No PRODUCTION : Phase
16-0396-001-CSU

Scale 1:1
Project Number
PRP 16-0396
Format AH
Sheet 1/1