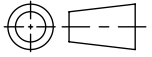
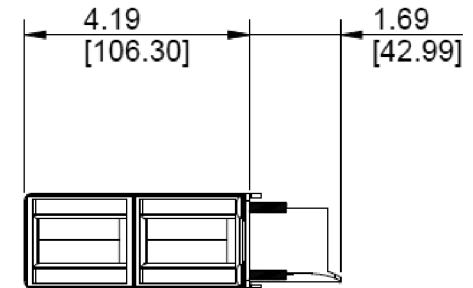
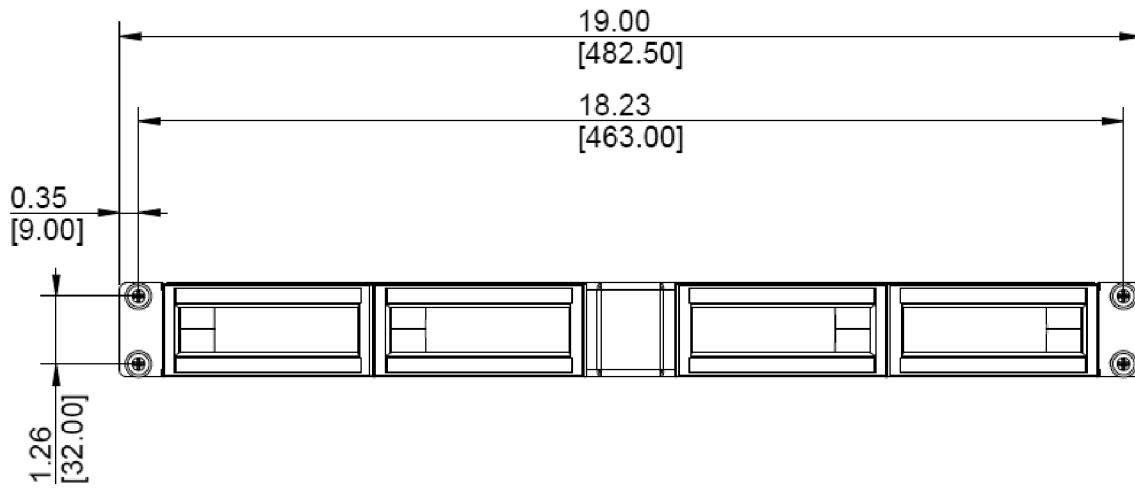
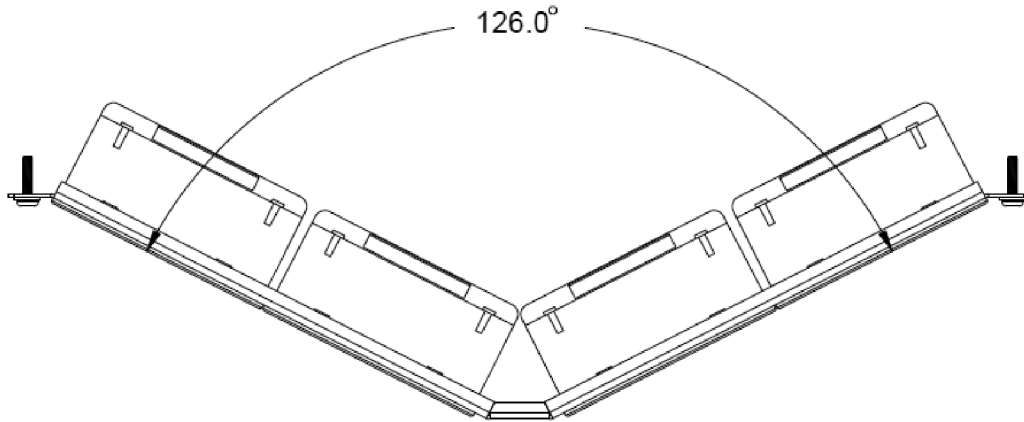


SW2014



Revision level			Revision Record	Changed	Date	Approved	Date
Drawing	State	Part					
00.0	Design Release		SEE ECN# 013462	GRW	6/2/2016	KAC	6/2/2016



Material
1.6mm Powder Coated
Mild Steel

Units: **inches**
Dimension without
tolerances details to:
.xxxx = ±.0005
.xxx = ±.005
.xx = ±.01
.x = ±.03
None = ±.06
∠ = ±0.5°
Dimension Formatted in/[mm]

The copyright of this
drawing is reserved by
HellermannTyton. It is
issued on condition that it is
not reproduced, copied, or
disclosed to a third party,
either wholly or in part,
without the consent of
HellermannTyton.

Drawn	GRW	6/1/2016
Approved	KAC	6/1/2016

HellermannTyton
North America
Email: corp@htamericas.com
Web: www.hellermann.tyton.com

Article/Type-No	859-30060 / RNSAPP1U
Title	RNS ANGLED MODULAR PANEL, 1U
Drawing-No	PRODUCTION : Phase 16-0395-001-CSU

Scale 1:1
Project Number PRP 16-0395
Format AH
Sheet 1/1