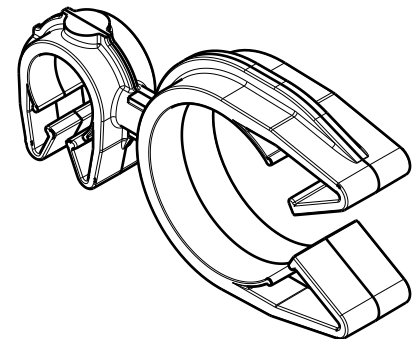
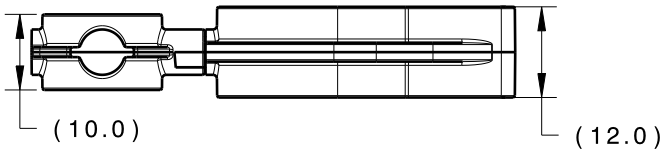
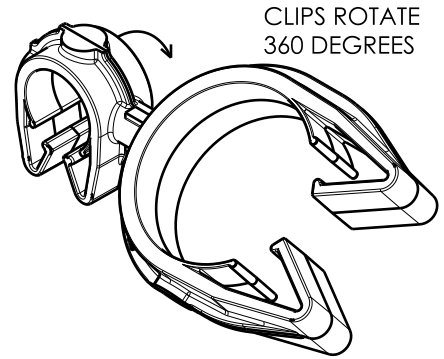
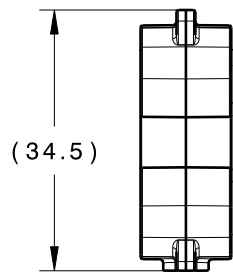
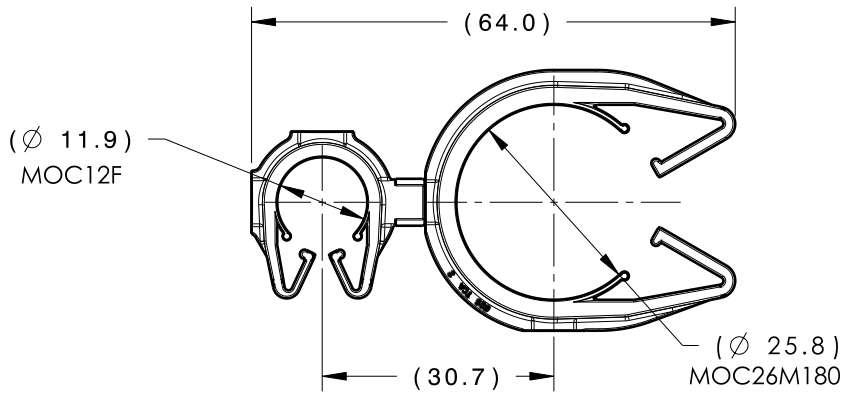


Revision Level			Revision Record	Changed	Date	Approved	Date
Drawing	State	Part					
00.1	Design Release	-	SEE ECN# 014773	TAT	11/30/2018	EJH	11/30/2018



ISOMETRIC VIEW



ISOMETRIC VIEW ROTATED

TYPE	MOC12F	MOC26M180
HARNESS	11.5MM - 13.0MM	23.0MM - 28.5MM
HOSE	10.5MM - 13.0MM	23.0MM - 28.5MM
HARD PIPE/TUBE	12.0MM - 13.8MM	25.9MM - 29.0MM

\*RECOMMENDED SIZES MAY DIFFER DEPENDING ON THE APPLICATION, PRODUCT REQUIREMENTS AND MATERIALS USED

\*\*PATENT PENDING 29/582,271

GLOBAL PART DESCRIPTION	MOC12F**			MOC26M180**		
	DRAWING	MATERIAL	COLOR	DRAWING	MATERIAL	COLOR
MOC12FMOC26M180-PA66HIRHSUV-BK	16-0319-000-CSU	PA66HIRHSUV	BLACK	16-0325-000-CSU	PA66HIRHSUV	BLACK

Material SEE CHART COLOR: SEE CHART	Units	millimeters	The copyright of this drawing is reserved by HellermannTyton. It is issued on condition that it is not reproduced, copied or disclosed to a third party, either wholly or in part, without the consent of HellermannTyton.	Drawn	CJR	8/28/18	Article/Type-No MOC12FMOC26M180	Scale	1:1
	Tolerance defined on each dimension	HellermannTyton North America Email: corp@htamericas.com Web: www.hellermann.tyton.com		Approved	TAT	8/31/18		Title 12MM MOC COUPLED TO A 26MM MOC M180	Project Number
				Drawing-No	PRODUCTION : Phase		Format		AH
					16-0330-388-CSU		Sheet		1/1