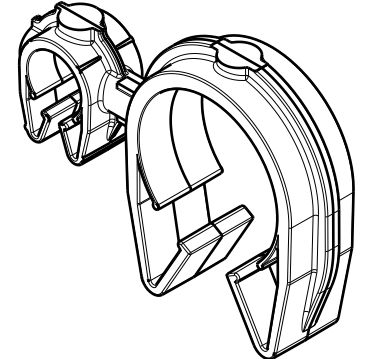
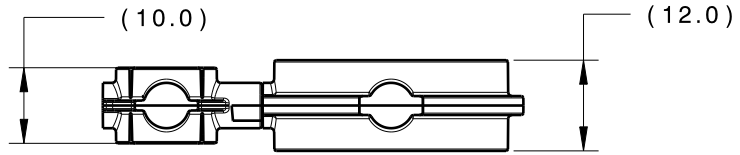
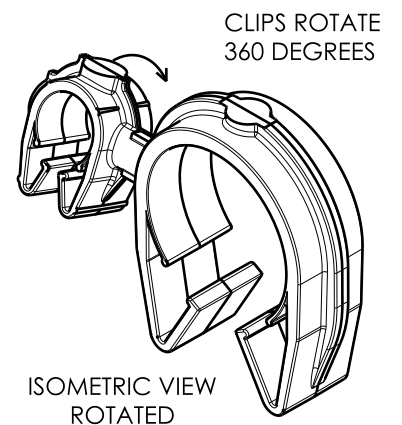
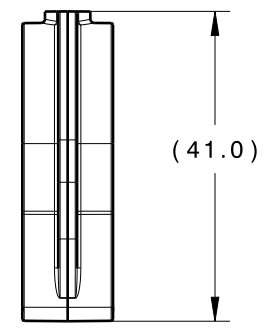
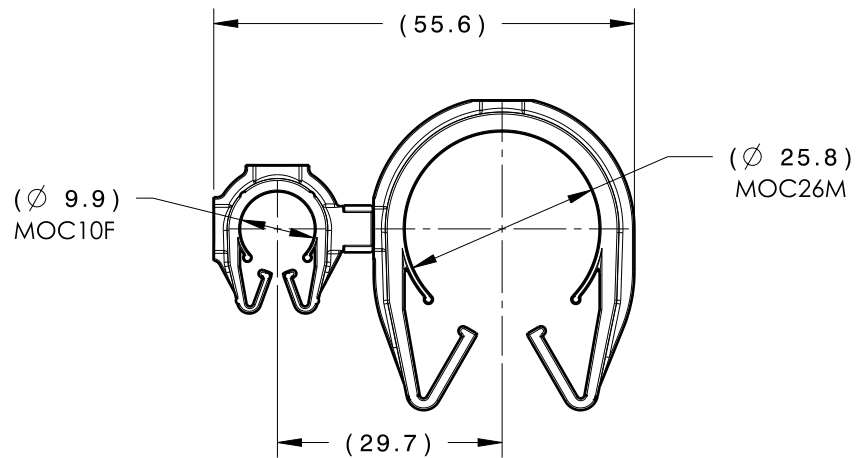


Revision Level			Revision Record	Changed	Date	Approved	Date
Drawing	State	Part					
01.2	DESIGN RELEASE		SEE ECN# 014409	FDS	04/23/18	EJH	04/23/18




ISOMETRIC VIEW



ISOMETRIC VIEW ROTATED

TYPE	MOC10F	MOC26M
HARNESS	10.0MM-11.5MM	23.0MM-28.5MM
HOSE	9.5MM-11.5MM	23.0MM-28.5MM
HARD PIPE/TUBE	10.0MM-11.5MM	25.9MM-29.0MM

*RECOMMENDED SIZES MAY DIFFER DEPENDING ON THE APPLICATION, PRODUCT REQUIREMENTS AND MATERIALS USED

GLOBAL PART DESCRIPTION 	MOC10F			MOC26M		
	DRAWING	MATERIAL	COLOR	DRAWING	MATERIAL	COLOR
MOC10FMOC26M-PA66HIRHS-BK	16-0318-000-CSU	PA66HIRHS	BLACK	16-0325-000-CSU	PA66HIRHS	BLACK

Material SEE CHART COLOR: SEE CHART	Units millimeters	The copyright of this drawing is reserved by HellermannTyton. It is issued on condition that it is not reproduced, copied or disclosed to a third party, either wholly or in part, without the consent of HellermannTyton.	Drawn	TAT	2/22/17	Article/Type-No	MOC10FMOC26M	Scale	1:1
	Tolerance defined on each dimension		Approved	EJH	2/28/17	Title	 10MM MOC COUPLED TO A 26MM MOC	Project Number	16-0326
			HellermannTyton			Drawing-No	16-0326-382-CSU	PRODUCTION : Phase 	Format
			North America Email: corp@htamericas.com Web: www.hellermann.tyton.com					Sheet	1/1