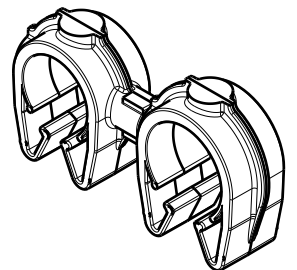
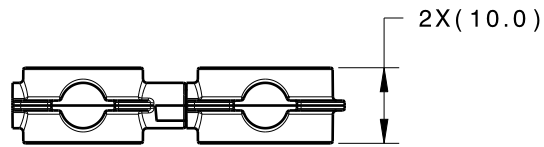
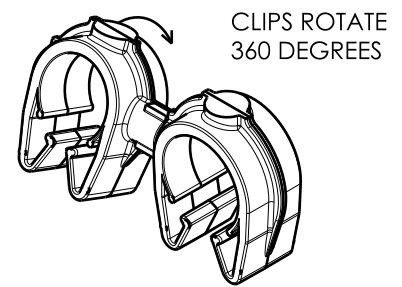
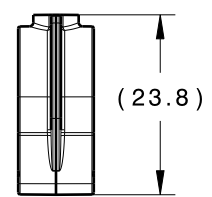
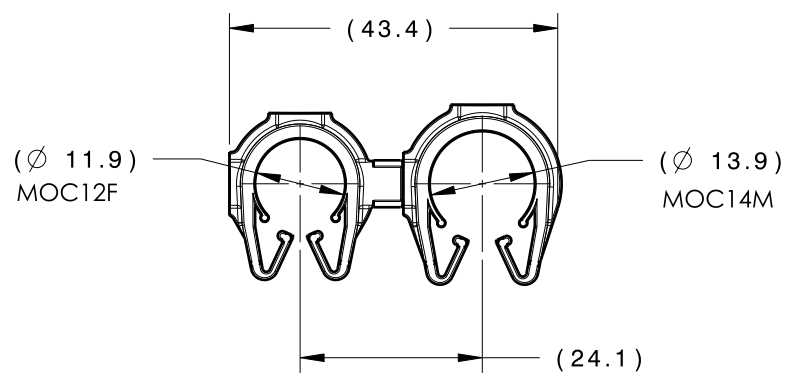


Revision Level			Revision Record	Changed	Date	Approved	Date
Drawing	State	Part					
01.2	DESIGN RELEASE		SEE ECN# 014409	FDS	04/23/18	EJH	04/23/18



ISOMETRIC VIEW




CLIPS ROTATE 360 DEGREES

ISOMETRIC VIEW ROTATED

TYPE	MOC12F	MOC14M
HARNESS	11.5MM-13.0MM	13.0MM-15.0MM
HOSE	10.5MM-13.0MM	13.0MM-15.0MM
HARD PIPE/TUBE	12.0MM-13.8MM	14.0MM-15.8MM

*RECOMMENDED SIZES MAY DIFFER DEPENDING ON THE APPLICATION, PRODUCT REQUIREMENTS AND MATERIALS USED

GLOBAL PART DESCRIPTION 	MOC12F			MOC14M		
	DRAWING	MATERIAL	COLOR	DRAWING	MATERIAL	COLOR
MOC12FMOC14M-PA66HIRHS-BK	16-0319-000-CSU	PA66HIRHS	BLACK	16-0320-000-CSU	PA66HIRHS	BLACK

Material SEE CHART COLOR: SEE CHART	Units millimeters	The copyright of this drawing is reserved by HellermannTyton . It is issued on condition that it is not reproduced, copied or disclosed to a third party, either wholly or in part, without the consent of HellermannTyton .	Drawn TAT 2/22/17	Article/Type-No MOC12FMOC14M	Scale 1:1
	Tolerance defined on each dimension		Approved EJH 2/28/17	Title  12MM MOC COUPLED TO A 14MM MOC	Project Number 16-0326
			 North America Email: corp@htamericas.com Web: www.hellermann.tyton.com		Drawing-No 16-0326-348-CSU 