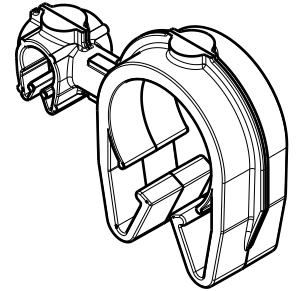
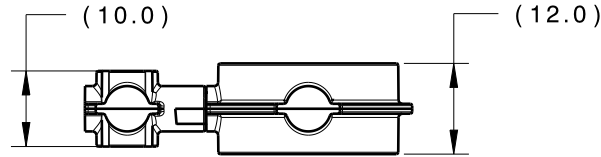
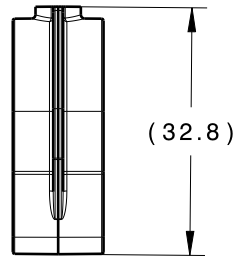
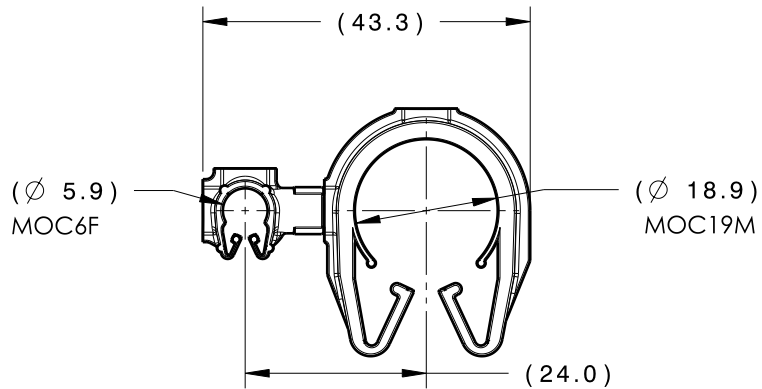


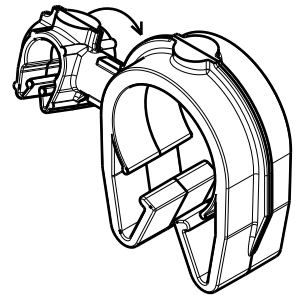
Revision Level			Revision Record	Changed	Date	Approved	Date
Drawing	State	Part					
01.2	DESIGN RELEASE		SEE ECN# 014407	FDS	4/20/18	EJH	4/20/18



ISOMETRIC VIEW



CLIPS ROTATE 360 DEGREES

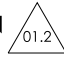


ISOMETRIC VIEW ROTATED

TYPE	MOC6F	MOC19M
HARNESS	5.5MM-6.5MM	17.0MM-20.0MM
HOSE	5.5MM-6.5MM	17.0MM-20.0MM
HARD PIPE/TUBE	6.0MM-6.8MM	19.0MM-21.8MM

*RECOMMENDED SIZES MAY DIFFER DEPENDING ON THE APPLICATION , PRODUCT REQUIREMENTS AND MATERIALS USED

*PATENT PENDING 29/582,271

GLOBAL PART DESCRIPTION 	MOC6F			MOC19M		
	DRAWING	MATERIAL	COLOR	DRAWING	MATERIAL	COLOR
MOC6FMOC19M-PA66HIRHS-BK	16-0314-000-CSU	PA66HIRHS	BLACK	16-0322-000-CSU	PA66HIRHS	BLACK

Material SEE CHART COLOR: SEE CHART	Units millimeters	The copyright of this drawing is reserved by HellermannTyton. It is issued on condition that it is not reproduced, copied or disclosed to a third party, either wholly or in part, without the consent of HellermannTyton.	Drawn	TAT	2/21/17	Article/Type-No	MOC6FMOC19M	Scale	1:1	
	Tolerance defined on each dimension		Approved	EJH	2/28/17	Title	 6MM MOC COUPLED TO A 19MM MOC	Project Number	16-0326	
			HellermannTyton			Drawing-No	PRODUCTION : Phase		Format	AH
						16-0326-167-CSU			Sheet	1/1

North America
Email: corp@htamericas.com
Web: www.hellermann.tyton.com