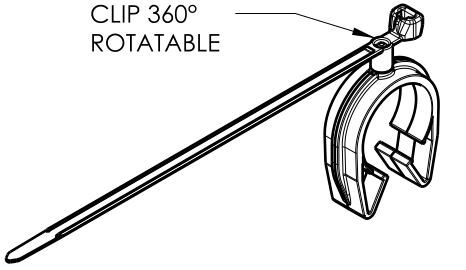
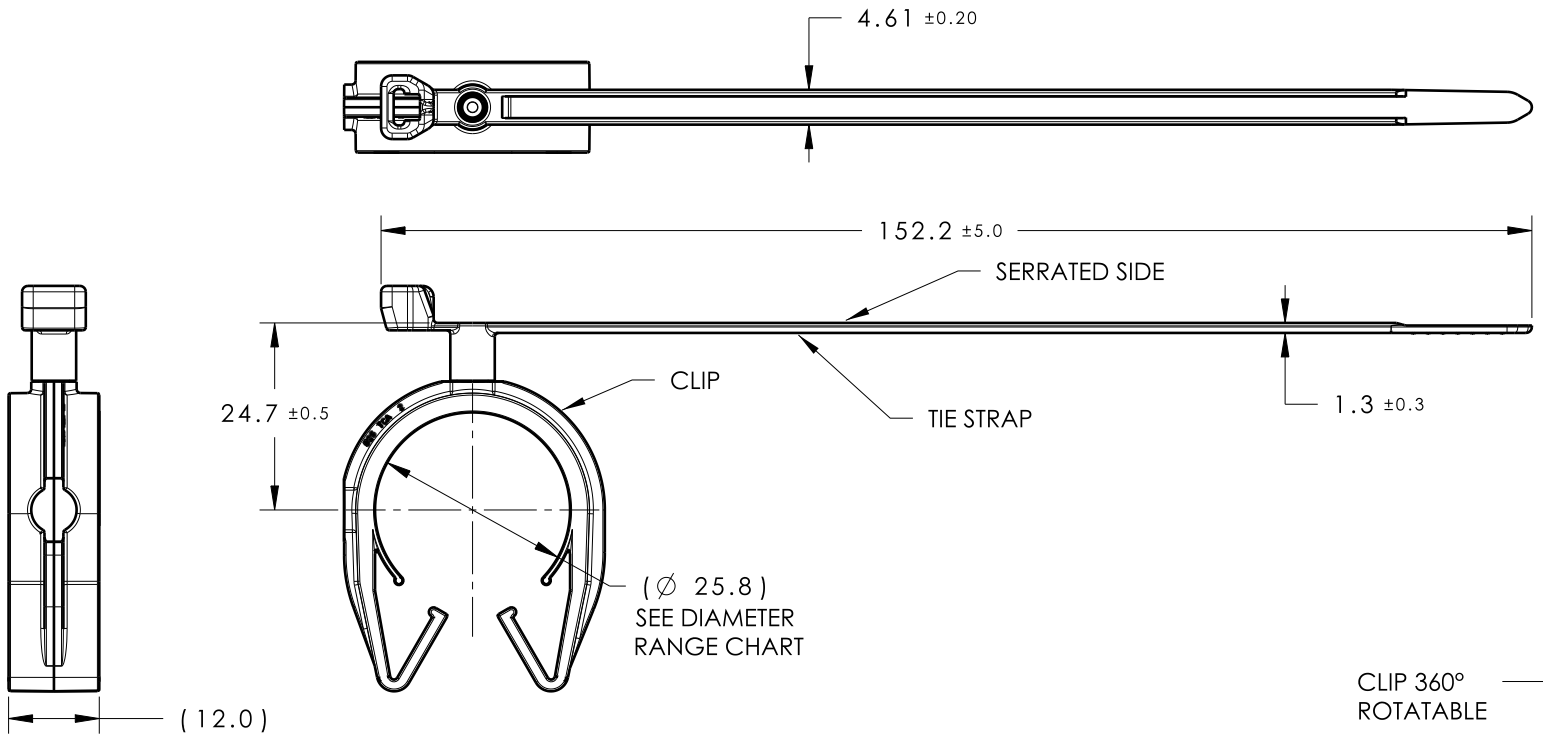


Revision Level			Revision Record	Changed	Date	Approved	Date
Drawing	State	Part					
00.0	Design Release	-	SEE ECN# 014174	TAT	11/13/17	EJH	11/13/17



ISOMETRIC VIEW
SCALE 1:2

TYPE	SUGGESTED DIAMETER RANGE*
HARNESS	23.0MM - 28.5MM
HOSE	23.0MM - 28.5MM
HARD PIPE/TUBE	25.9MM - 29.0MM

*RECOMMENDED SIZES MAY DIFFER DEPENDING ON THE APPLICATION , PRODUCT REQUIREMENTS AND MATERIALS USED

**PATENT PENDING 29/582,271

GLOBAL PART NAME	BUNDLE RANGE	CABLE TIE			CLIP**				
		DRAWING	MATERIAL	COLOR	DRAWING	MATERIAL	COLOR		
T50SVCMOC26M180-PA66HIRHS/PA66HS-BK	2 TO 35	14-0606-001-CSU	PA66HS	BLACK	16-0325-000-CSU	PA66HIRHS	BLACK		
Material SEE CHART COLOR: SEE CHART	Units millimeters Tolerance defined on each dimension	The copyright of this drawing is reserved by HellermannTyton. It is issued on condition that it is not reproduced, copied or disclosed to a third party, either wholly or in part, without the consent of HellermannTyton.	Drawn	TAT	11/13/17	Article/Type-No T50SVCMOC26M180		Scale 1:1	
			Approved	EJH	11/13/17	Title T50 TIE STRAP COUPLED TO 26MM MODULAR OMEGA CLIP		Project Number 16-0325	
			HellermannTyton North America Email: corp@htamericas.com Web: www.hellermann.tyton.com			Drawing-No	PRODUCTION : Phase		Format AH
						16-0325-206-CSU			Sheet 1/1