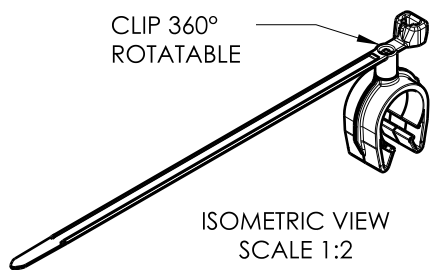
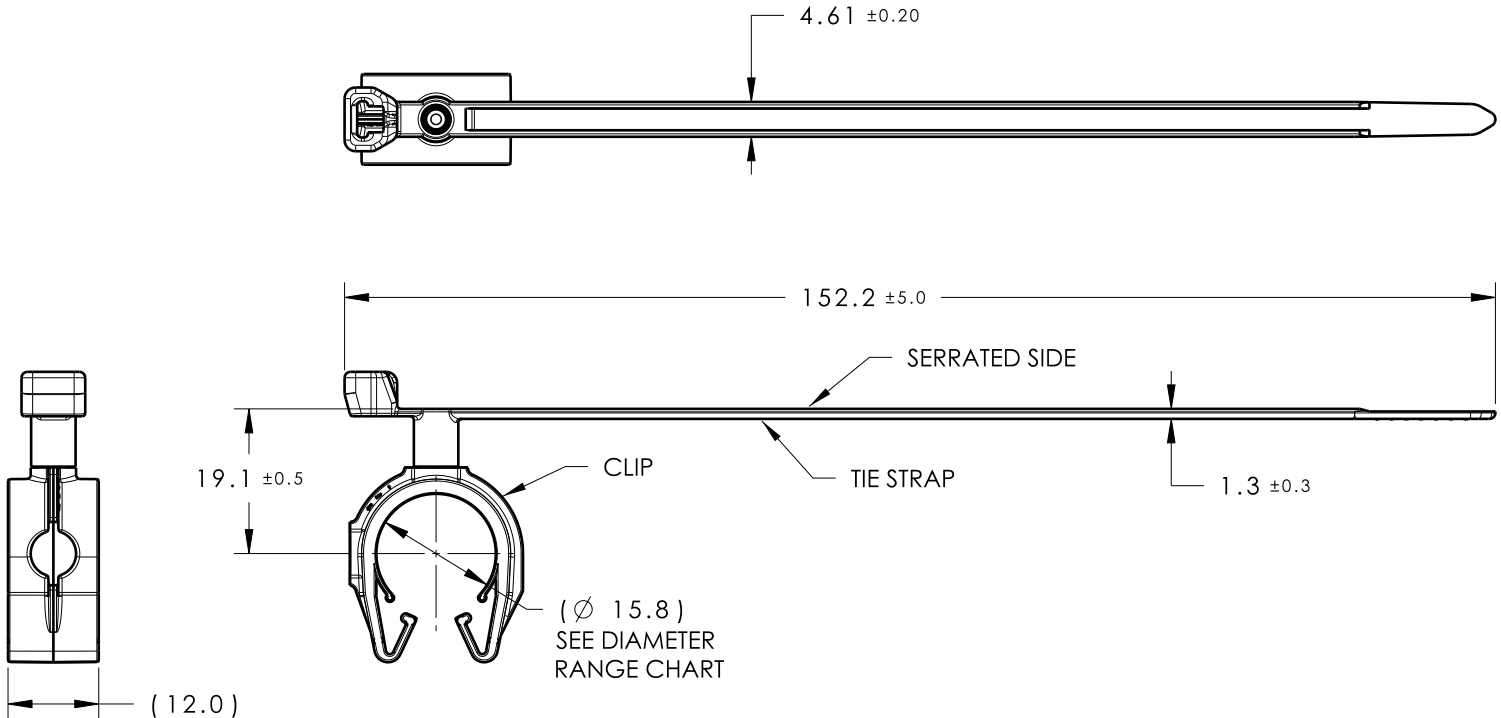


Revision Level			Revision Record	Changed	Date	Approved	Date
Drawing	State	Part					
00.0	Design Release		SEE ECN# 014174	TAT	11/13/17	EJH	11/13/17



TYPE	SUGGESTED DIAMETER RANGE*
HARNESS	14.0MM - 17.0MM
HOSE	14.0MM - 17.0MM
HARD PIPE/TUBE	15.9MM - 18.3MM

*RECOMMENDED SIZES MAY DIFFER DEPENDING ON THE APPLICATION , PRODUCT REQUIREMENTS AND MATERIALS USED

**PATENT PENDING 29/582,271

GLOBAL PART NAME		BUNDLE RANGE	CABLE TIE			CLIP**			
			DRAWING	MATERIAL	COLOR	DRAWING	MATERIAL	COLOR	
T50SVC MOC16M180-PA66HIRHS/PA66HS-BK		2 TO 35	14-0606-001-CSU	PA66HS	BLACK	16-0321-000-CSU	PA66HIRHS	BLACK	
Material SEE CHART COLOR: SEE CHART	Units millimeters Tolerance defined on each dimension	The copyright of this drawing is reserved by HellermannTyton. It is issued on condition that it is not reproduced, copied or disclosed to a third party, either wholly or in part, without the consent of HellermannTyton.	Drawn	TAT	11/13/17	Article/Type-No T50SVC MOC16M180		Scale 1:1	
			Approved	EJH	11/13/17	Title T50 TIE STRAP COUPLED TO 16MM MODULAR OMEGA CLIP		Project Number 16-0321	
			 North America Email: corp@htamericas.com Web: www.hellermann.tyton.com			Drawing-No PRODUCTION : Phase		Format AH	
						16-0321-206-CSU		Sheet 1/1	