



Revision Level			Revision Record	Changed	Date	Approved	Date
Drawing	State	Part					
01.1	Design Release	-	SEE ECN# 013851	TAT	5/15/17	EJH	5/15/17

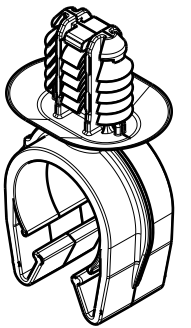
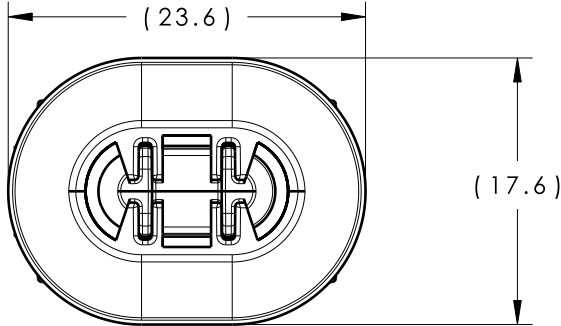
REFERENCE:

- PERFORMANCE REQUIREMENTS AT DRY AS MOLDED:
1. FIR TREE PUSH IN FORCE: 45 NEWTONS (10 LBS) MAX IN EACH APPLICABLE OVAL HOLE SIZE AND A PLATE THICKNESS OF 1.8mm.
 2. FIR TREE PULL OUT FORCE: 155 NEWTONS (35 LBS) MIN IN EACH APPLICABLE OVAL HOLE SIZE AND A PLATE THICKNESS OF 1.8mm.
 3. SHEET METAL THICKNESS RANGE: 0.60mm - 6.75mm
 4. APPLICABLE OVAL HOLE SIZES:
 - A. 6.2 X 12.2mm
 - B. 6.5 X 12.5mm
 - C. 6.5 X 13.0mm
 - D. 7.0 X 12.0mm
 5. FITS USCAR MATING HOLE EWCAP -007 (NOT A TEST SPEC.)

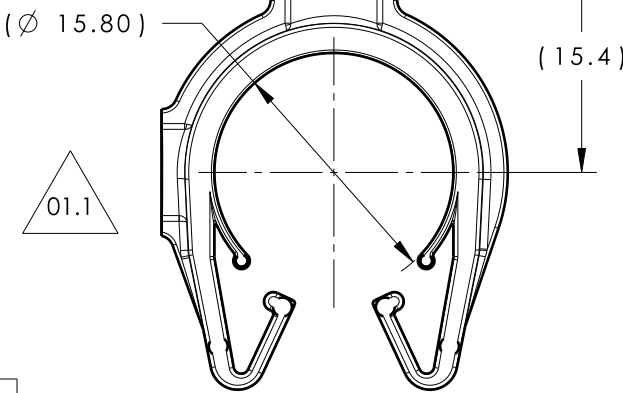
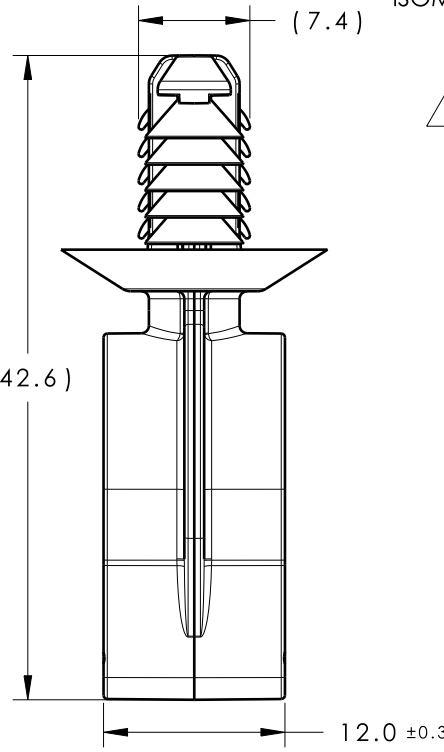
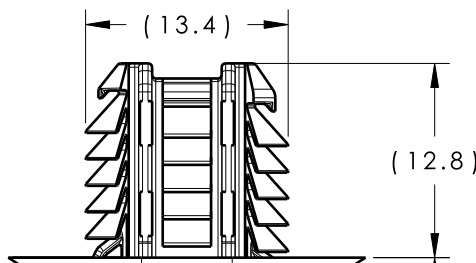
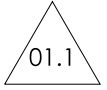


NOTES:

1. MAXIMUM PERCENT REGRIND PERMISSIBLE: 25%
2. MAX ALLOWABLE FLASH OR MISMATCH TO BE 0.5mm.



ISOMETRIC VIEW



DIAMETER RANGE		
HARNESS	HOSE	HARD PIPE/TUBE
14.0MM-17.0MM	14.0MM-17.0MM	15.9MM-18.3MM

Material
PA66
COLOR: BLACK

Units millimeters
Tolerance defined on each dimension

The copyright of this drawing is reserved by HellermannTyton. It is issued on condition that it is not reproduced, copied or disclosed to a third party, either wholly or in part, without the consent of HellermannTyton.

Drawn CRB 08/22/16
Approved EJH 09/28/16

HellermannTyton

North America
Email: corp@htamericas.com
Web: www.hellermann.tyton.com

Article/Type-No MOC16FTOVAL
Title 16MM (5/8") MODULAR OMEGA CLIP WITH 6.5 X 12.5MM OVAL FIR TREE
Drawing-No PROTOTYPE : Phase
16-0321-010-CSU

Scale 2:1
Project Number 16-0321
Format AH
Sheet 1/1