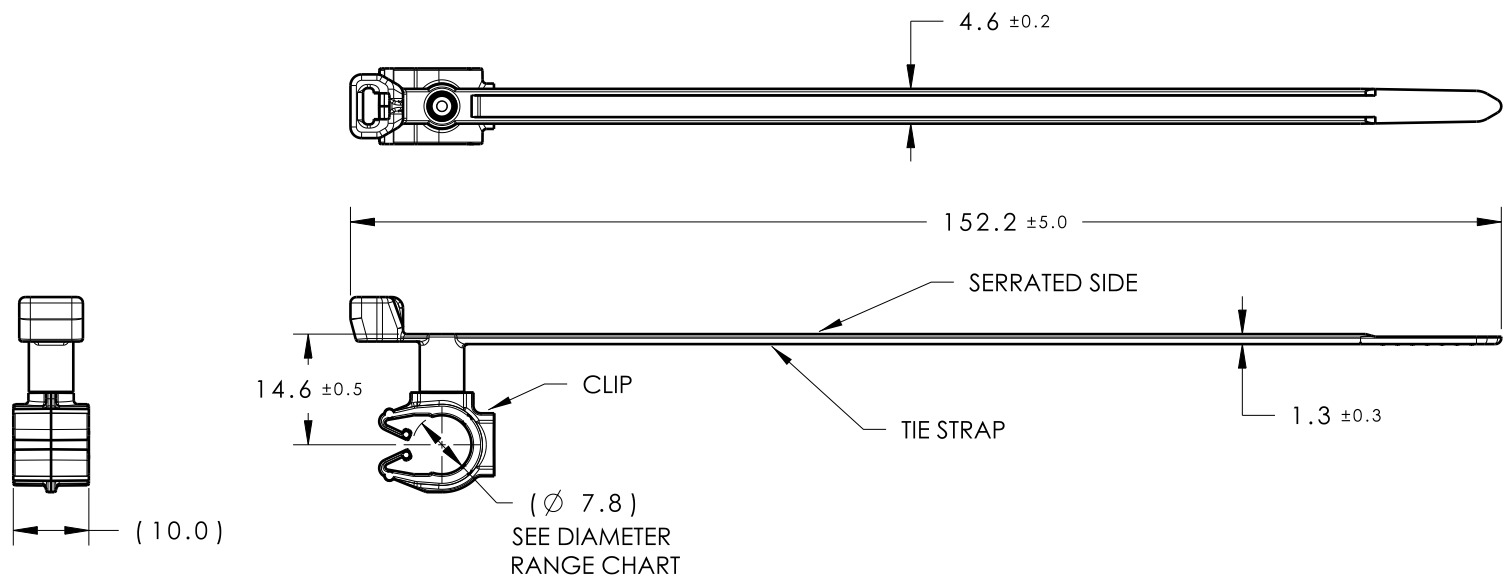


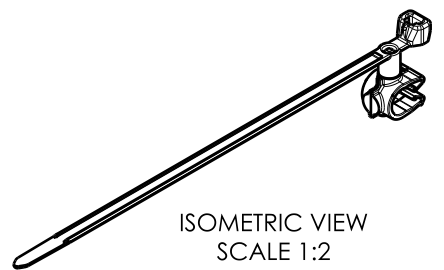
Revision Level			Revision Record	Changed	Date	Approved	Date
Drawing	State	Part					
00.0	Design Release	-	SEE ECN# 014314	TAT	2/16/18	EJF	2/16/18



TYPE	SUGGESTED DIAMETER RANGE*
HARNESS	7.5MM - 8.5MM
HOSE	7.0MM - 8.5MM
HARD PIPE/TUBE	7.9MM - 8.5MM

*RECOMMENDED SIZES MAY DIFFER DEPENDING ON THE APPLICATION, PRODUCT REQUIREMENTS AND MATERIALS USED

**PATENT PENDING 29/582,271



UNS-UNIVERSAL NUMBER SYSTEM	GLOBAL PART NAME	BUNDLE RANGE	CABLE TIE			CLIP**		
			DRAWING	MATERIAL	COLOR	DRAWING	MATERIAL	COLOR
156-02242	T50SVMOC8M-PA66HIRHS/PA66HS-BK	2 TO 50	14-0606-001-CSU	PA66HS	BLACK	16-0316-000-CSU	PA66HIRHS	BLACK

Material SEE CHART COLOR: SEE CHART	Units	millimeters	Drawn	TAT	2/15/18	Article/Type-No	T50SVMOC8M		Scale	1:1
	Tolerance defined on each dimension	The copyright of this drawing is reserved by HellermannTyton. It is issued on condition that it is not reproduced, copied or disclosed to a third party, either wholly or in part, without the consent of HellermannTyton.	Approved	EJF	2/16/18	Title	T50SVC TIE STRAP COUPLED TO 8MM MOC		Project Number	16-0316
			HellermannTyton North America Email: corp@htamericas.com Web: www.hellermann.tyton.com			Drawing-No	PRODUCTION : Phase		Format	AH
						16-0316-202-CSU			Sheet	1/1