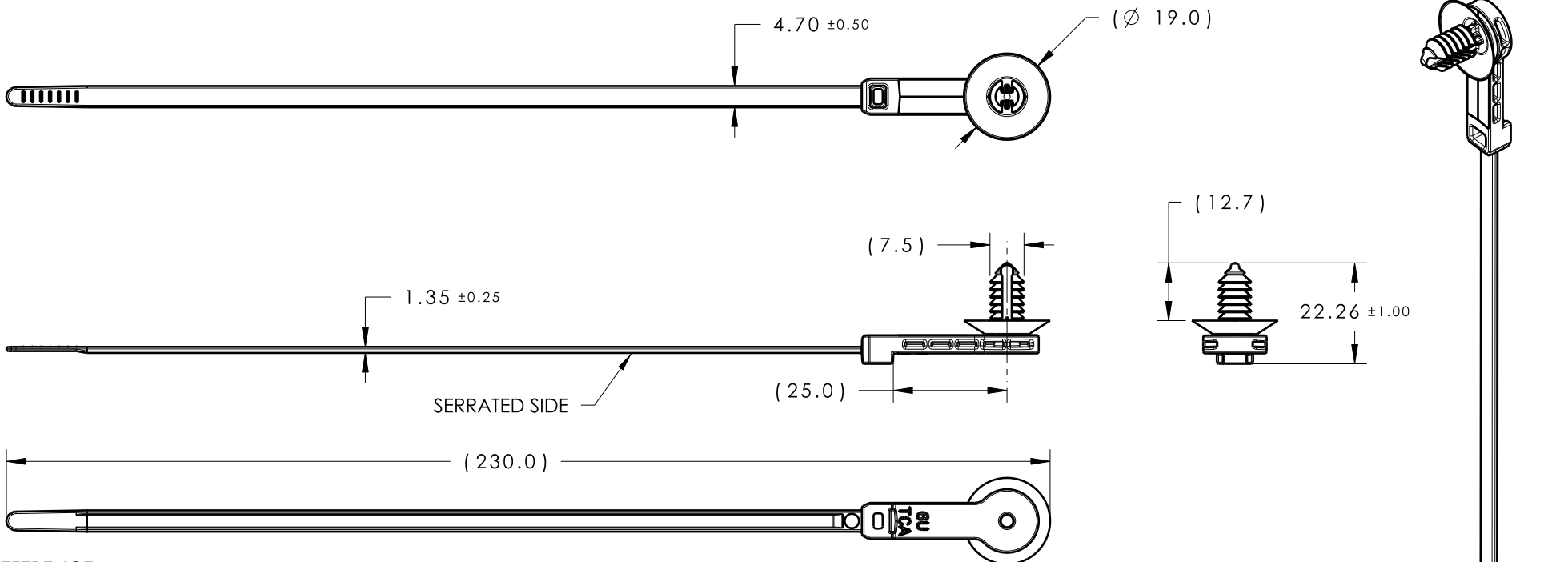


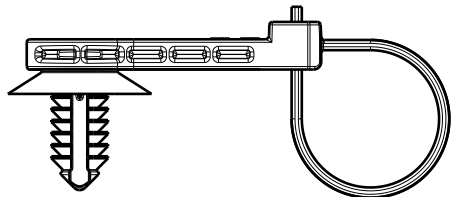
Revision Level			Revision Record	Changed	Date	Approved	Date
Drawing	State	Part					
06.1	Design Release	A	SEE ECN# 013477	EJF	5/16/16	KVH	5/16/16



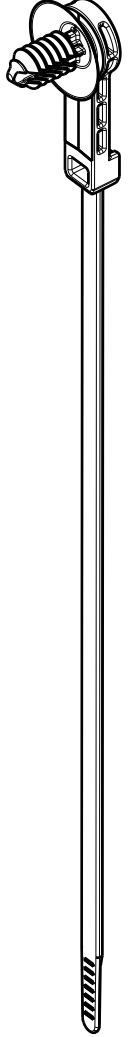
- REFERENCE:  
 PERFORMANCE REQUIREMENTS AT DRY AS MOLDED:
1. FIR TREE PUSH IN FORCE: 45 NEWTONS (10 LBS) MAX IN THE APPLICABLE NOMINAL HOLE SIZE AND A PLATE THICKNESS OF 1.8mm.
  2. FIR TREE PULL OUT FORCE: 110 NEWTONS (25 LBS) MIN IN THE APPLICABLE NOMINAL HOLE SIZE AND A PLATE THICKNESS OF 1.8mm.
  3. SHEET METAL THICKNESS RANGE: 0.60mm - 6.65mm
  4. APPLICABLE HOLE SIZE:
    - A. 6.5mm +0.5/- 0.4
    - B. 6.35mm +/- 0.25 HEX
  5. CABLE TIE MIN LOOP TENSILE STRENGTH: 225 NEWTONS (50 LBS)
  6. BUNDLE RANGE: 2.0mm TO 50.0mm
  7. MAXIMUM PERCENT REGRIND PERMISSIBLE: 25%
  8. MAX ALLOWABLE FLASH OR MISMATCH TO BE: 0.25mm



MATERIAL	COLOR
PA66HIRHS	GRAY
PA66HIRHS	BLACK
PA66HIRHS	NATURAL
PA46	BROWN



ASSEMBLY VIEW  
SCALE 1:1



ISOMETRIC VIEW

Material <b>SEE CHART</b> COLOR: SEE CHART	Units <b>millimeters</b>	The copyright of this drawing is reserved by HellermannTyton. It is issued on condition that it is not reproduced, copied or disclosed to a third party, either wholly or in part, without the consent of HellermannTyton.	Drawn    SJA    6/14/11	Article/Type-No    T50ROSFT6SO25B	Scale    3:4	
	Tolerance defined on each dimension		Approved    KVH    11/19/12	Title T50ROS WITH 25mm OFFSET AND FT6 FIR TREE (B-SERIES)	Project Number 11-0572	
			<b>HellermannTyton</b> North America Email: corp@htamericas.com Web: www.hellermann.tyton.com		Drawing-No    PRODUCTION : Phase	Format    AH
					<b>11-0572-001-CSU</b>	