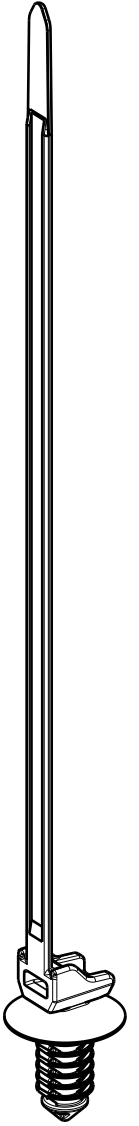
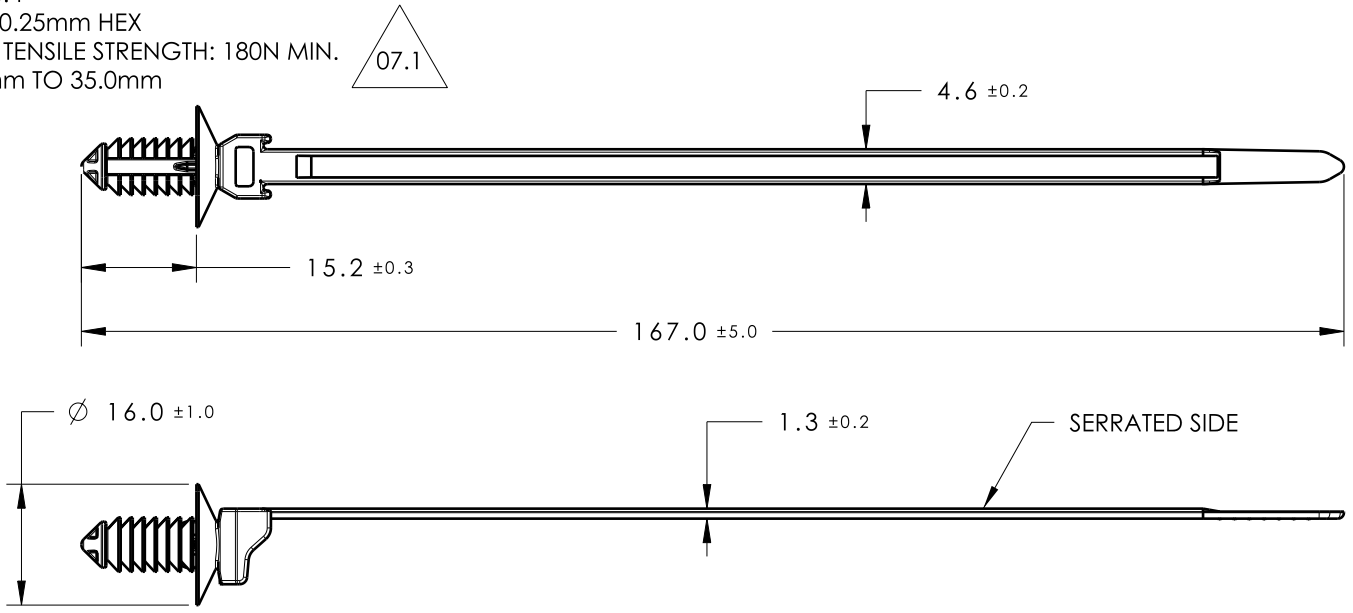




Revision Level			Revision Record	Changed	Date	Approved	Date
Drawing	State	Part					
07.1	Design Release	B	SEE ECN# 012603	KVH	3/11/14	EJH	3/11/14

- REFERENCE:
- PERFORMANCE REQUIREMENTS:
1. FIR TREE PUSH IN FORCE: 45 NEWTONS (10 LBS) MAX IN THE APPLICABLE NOMINAL HOLE SIZE AND A PLATE THICKNESS OF 1.8mm.
  2. FIR TREE PULL OUT FORCE: 110 NEWTONS (25 LBS) MIN IN THE APPLICABLE NOMINAL HOLE SIZE AND A PLATE THICKNESS OF 1.8mm.
  3. SHEET METAL THICKNESS RANGE: 0.60mm - 8.25mm
  4. APPLICABLE HOLE SIZES:
    - A. 6.5mm +/- 0.4
    - B. 6.35mm +/- 0.25mm HEX
  5. CABLE TIE MIN. LOOP TENSILE STRENGTH: 180N MIN.
  6. BUNDLE RANGE: 1.0mm TO 35.0mm



ISOMETRIC VIEW



TYPE NUMBER	MATERIAL	COLOR
T50SOSFT6LG-E2	PA66HIRHS	BLACK
T50SOSFT6LG-E2	PA66HIRHS	NATURAL
T50SOSFT6LG-E2	PA66HS	GRAY
T50SOSFT6LG-E2	PA46	BROWN

Material SEE CHART	Units <b>millimeters</b>	Tolerance defined on each dimension	The copyright of this drawing is reserved by HellermannTyton. It is issued on condition that it is not reproduced, copied or disclosed to a third party, either wholly or in part, without the consent of HellermannTyton.	Drawn	SJA	12/9/11	Article/Type-No SEE CHART	Scale 1:1		
				Approved	AAC	12/9/11				
				<p>North America Email: corp@htamericas.com Web: www.hellermann.tyton.com</p>				Title T50SOSFT6LG-E2 OUTSIDE SERRATED WITH 6.5mm FIR TREE		Project Number 11-0743
								Drawing-No <b>11-0743-001-CSU</b>		PRODUCTION : Phase
								Sheet 1/1		

**Product Number**  
**Cross Reference Record**

Uncontrolled Document

<b>Type Number</b>	<b>UNS Universal Number System</b>	<b>Customer Part Number</b>	<b>Color</b>
T50SOSFT6LG-E2	157-00213		NAT

Issued By:

Reference Drawing Number:

Issue Date:

11-0743-001-CSU

October 26, 2015