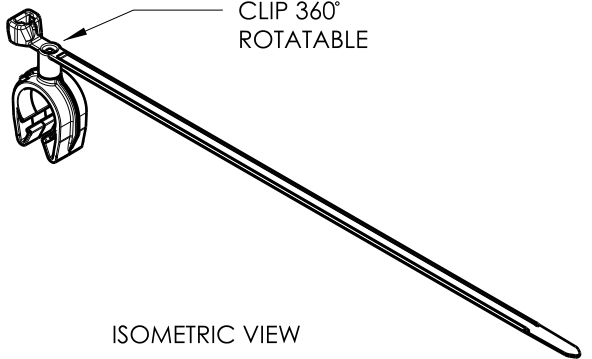
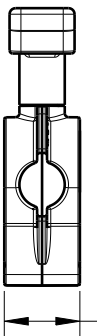
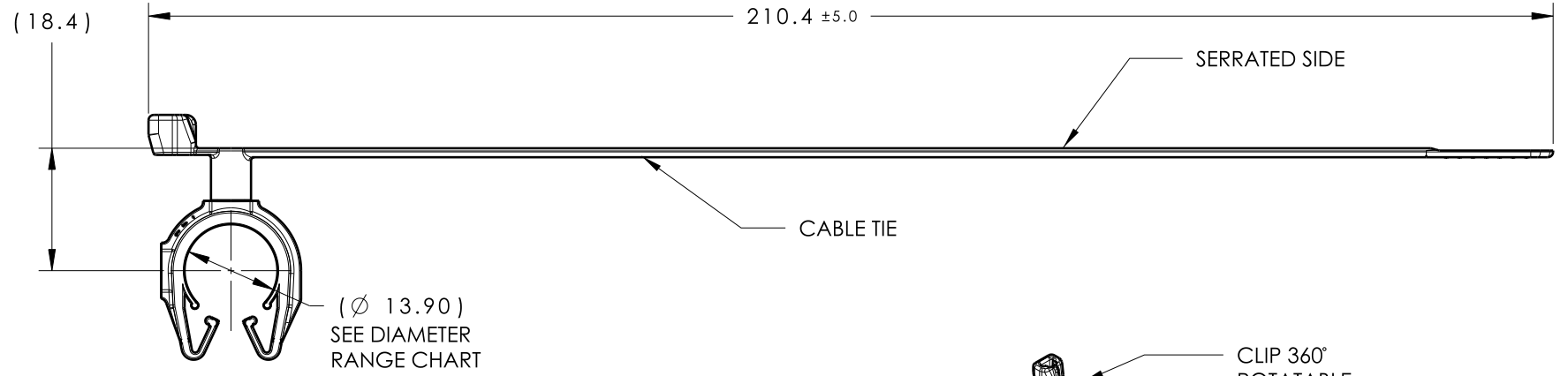
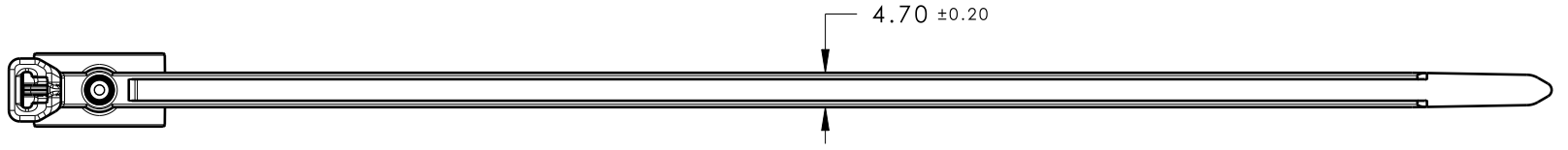


Revision Level			Revision Record	Changed	Date	Approved	Date
Drawing	State	Part					
00.0	Design Release	-	SEE ECN# 014531	TAT	7/17/18	EJH	7/17/18



ISOMETRIC VIEW

TYPE	SUGGESTED DIAMETER RANGE*
HARNESS	13.0MM - 15.0MM
HOSE	13.0MM - 15.0MM
HARD PIPE/TUBE	14.0MM - 15.8MM

*RECOMMENDED SIZES MAY DIFFER DEPENDING ON THE APPLICATION , PRODUCT REQUIREMENTS AND MATERIALS USED

**PATENT PENDING 29/582,271

GLOBAL PART DESCRIPTION	BUNDLE RANGE	CABLE TIE			CLIP**		
		DRAWING	MATERIAL	COLOR	DRAWING	MATERIAL	COLOR
T50SMVCMOC14M180-PA66HIRHSUV-BK	2 TO 35	14-0606-012-CSU	PA66HIRHSUV	BLACK	16-0320-000-CSU	PA66HIRHSUV	BLACK

Material SEE CHART COLOR: SEE CHART	Units	millimeters	The copyright of this drawing is reserved by HellermannTyton. It is issued on condition that it is not reproduced, copied or disclosed to a third party, either wholly or in part, without the consent of HellermannTyton.	Drawn	TAT	7/17/18	Article/Type-No	T50SMVCMOC14M180		Scale	1:1
	Tolerance defined on each dimension	Approved		EJH	7/17/18	Title		T50 CABLE TIE COUPLED TO 14MM MOC		Project Number	16-0320
		 North America Email: corp@htamericas.com Web: www.hellermann.tyton.com			Drawing-No		PRODUCTION : Phase		Format	AH	
							16-0320-306-CSU		Sheet	1/1	