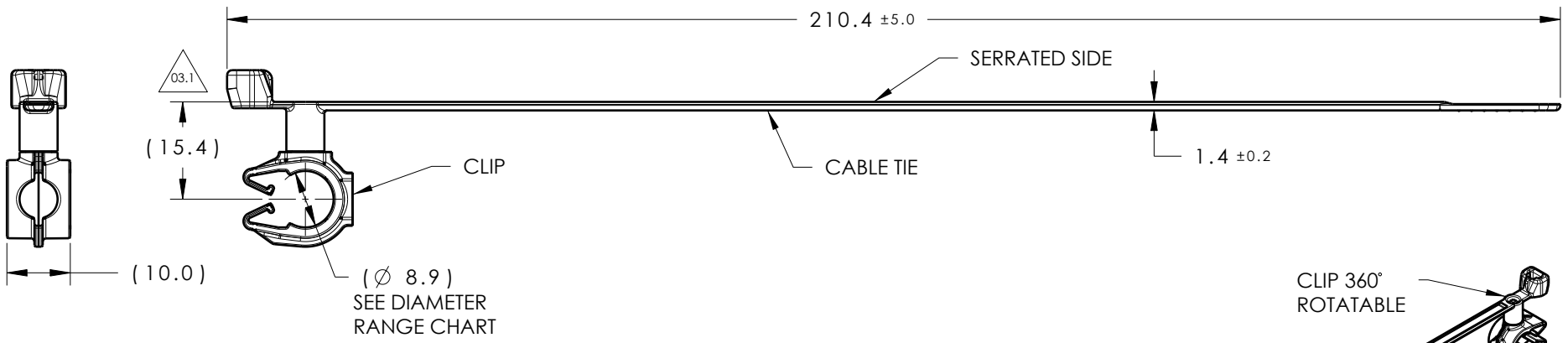


Revision Level			Revision Record	Changed	Date	Approved	Date
Drawing	State	Part					
03.1	Design Release	-	SEE ECN# 014539	CTF	07/25/2018	TAT	07/25/2018



TYPE	SUGGESTED DIAMETER RANGE*
HARNESS	8.5MM - 10.0MM
HOSE	8.0MM - 10.0MM
HARD PIPE/TUBE	9.0MM - 10.0MM

*RECOMMENDED SIZES MAY DIFFER DEPENDING ON THE APPLICATION, PRODUCT REQUIREMENTS AND MATERIALS USED

**PATENT PENDING 29/582,271

GLOBAL PART DESCRIPTION	BUNDLE RANGE	CABLE TIE			CLIP**		
		DRAWING	MATERIAL	COLOR	DRAWING	MATERIAL	COLOR
T50SMVCMOC9M-PA66HIRHSUV-BK	2 TO 50	14-0606-012-CSU	PA66HIRHSUV	BLACK	16-0317-000-CSU	PA66HIRHSUV	BLACK

Material
SEE CHART
COLOR: SEE CHART

Units **millimeters**

Tolerance defined on each dimension

The copyright of this drawing is reserved by HellermannTyton. It is issued on condition that it is not reproduced, copied or disclosed to a third party, either wholly or in part, without the consent of HellermannTyton.

Drawn: E J H 9/26/16
Approved: T A T 3/31/17

HellermannTyton

North America
Email: corp@htamericas.com
Web: www.hellermann.tyton.com

Article/Type-No T50SMVCMOC9M

Title T50SMVC CABLE TIE COUPLED TO 9MM MOC

Drawing-No PRODUCTION : Phase

16-0317-302-CSU

Scale 1:1
Project Number 16-0317
Format AH
Sheet 1/1