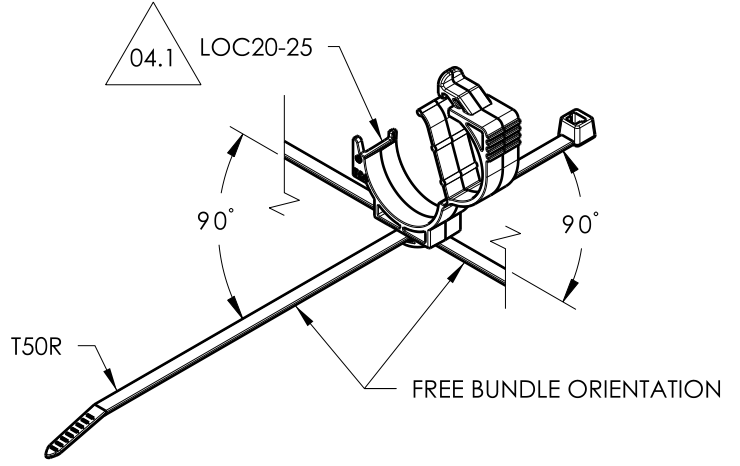
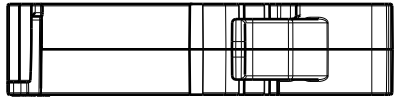
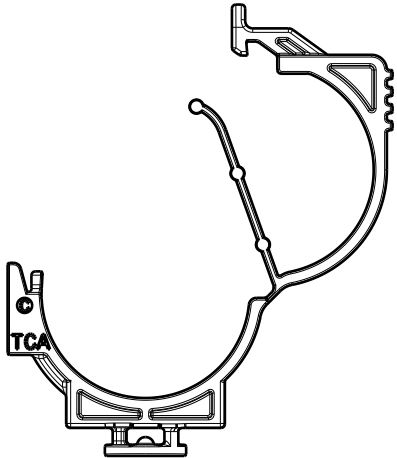


Revision Level			Revision Record	Changed	Date	Approved	Date
Drawing	State	Part					
04.1	Design Release	C	SEE ECN# 013571	KVH	10/10/16	EJH	10/10/16

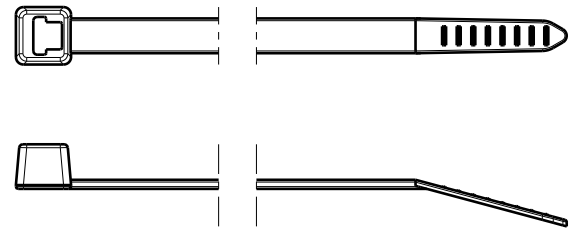
LOC20-25   
 DELIVERY CONDITION: UNASSEMBLED SET



ASSEMBLY EXAMPLE  
 SCALE 1:2



T50R  
 DELIVERY CONDITION: UNASSEMBLED SET



UNS-UNIVERSAL NUMBER SYSTEM	TYPE	BUNDLE RANGE	CABLE TIE			MOUNT		
			DRAWING	MATERIAL	COLOR	DRAWING	MATERIAL	COLOR
156-01564	T50RLOC20-25-SET	5 TO 50	CT2050007CST	PA66HS	BLACK	12-0631-001-CSU	PA66HIRHS	BLACK

Material SEE CHART	Units	millimeters	The copyright of this drawing is reserved by HellermannTyton. It is issued on condition that it is not reproduced, copied or disclosed to a third party, either wholly or in part, without the consent of HellermannTyton.	Drawn	KVH	4/21/15	Article/Type-No	SEE CHART	Scale	1:1
	Tolerance defined on each dimension	Approved		SJA	4/21/15	Title	LOCKING OMEGA CLIP (20mm TO 25mm BUNDLE) WITH T50R CABLE TIE	Project Number	12-0631	
		 North America Email: corp@htamericas.com Web: www.hellermann.tyton.com			Drawing-No	PRODUCTION : Phase	Format	AH		
					12-0631-101-CSU		Sheet	1/1		