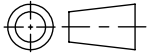
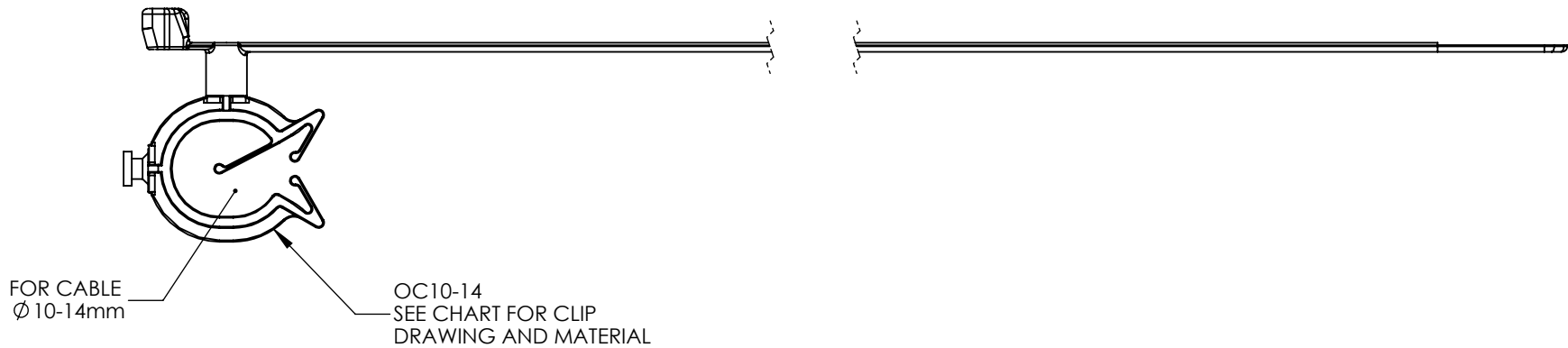
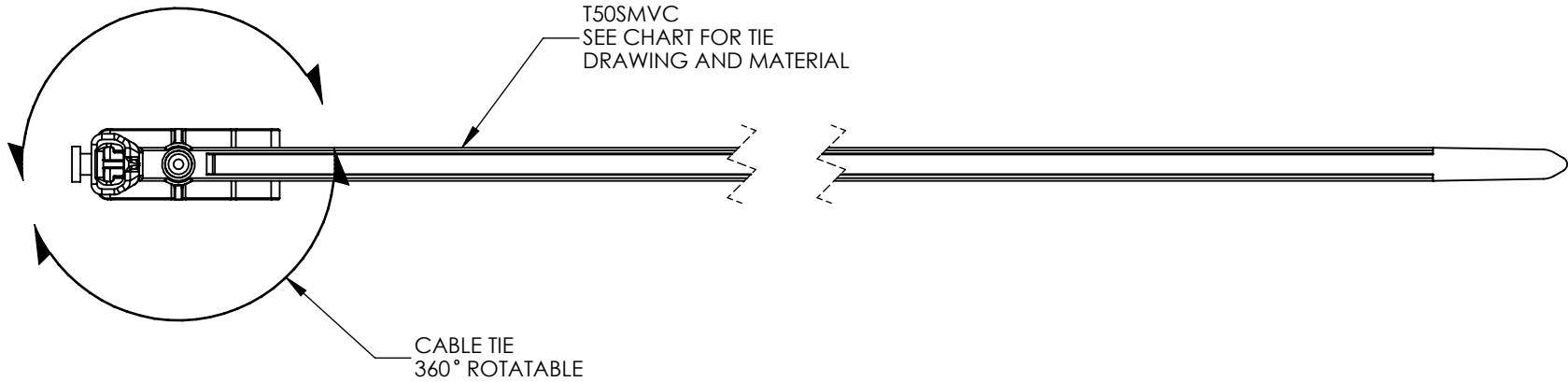


SW2011



Revision level			Revision Record	Changed	Date	Approved	Date
Drawing	State	Part					
00.0	Design Release	-	SEE ECN# 012883	AAC	10/29/14	KAC	10/29/14



TYPE	BUNDLE RANGE	CABLE TIE		CLIP	
		MATERIAL	DRAWING	MATERIAL	DRAWING
T50SMVCOC10-14	2 to 50	PA66HS	14-0606-002-CSU	PA66IMHS	05-0044-002-CSU

Material
SEE CHART

Units: **millimeters**
 Dimension without tolerances details to:
 .xxx = ±.013
 .xx = ±.13
 .x = ±.3
 None = ±.8
 < = ±0.5°
 Dimension Formatted mm/[in]

The copyright of this drawing is reserved by HellermannTyton. It is issued on condition that it is not reproduced, copied, or disclosed to a third party, either wholly or in part, without the consent of HellermannTyton.

Drawn AAC 10/28/14
 Approved KAC 10/28/14

HellermannTyton
 North America
 Email: corp@htamericas.com
 Web: www.hellermann.tyton.com

Article/Type-No T50SMVCOC10-14
 Title **T50SMVCOC10-14
 T50SMVC CABLE TIE WITH
 OMEGA CLIP 10-14**
 Drawing-No Production : Phase
05-0044-005-CSU

Scale 1:1
 Project Number PRP 05-044
 Format AH
 Sheet 1/1