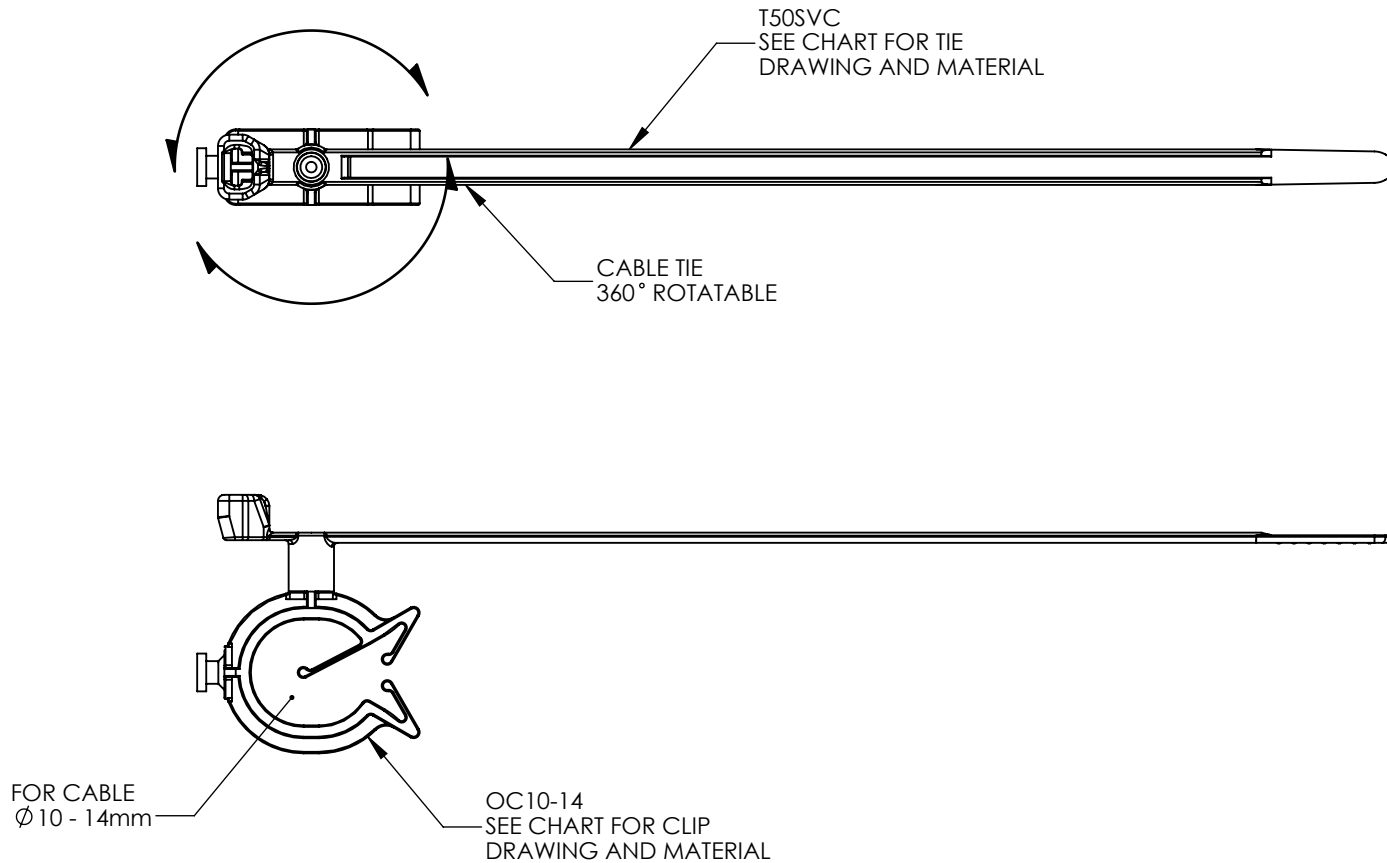


SW2011



Revision level			Revision Record	Changed	Date	Approved	Date
Drawing	State	Part					
06.2	Design Release	-	SEE ECN# 012883	AAC	10/24/14	KAC	10/24/14



TYPE	BUNDLE DIAMETER	CABLE TIE		CLIP	
		MATERIAL	DRAWING	MATERIAL	DRAWING
T50SVCOC10-14	2 to 35	PA66HS	14-0606-001-CSU	PA66IMHS	05-0044-002-CSU

Material
SEE CHART

Units: **millimeters**
 Dimension without tolerances details to:
 .xxx = ±.013
 .xx = ±.13
 .x = ±.3
 None = ±.8
 < = ±0.5°
 Dimension Formatted mm/[in]

The copyright of this drawing is reserved by HellermannTyton. It is issued on condition that it is not reproduced, copied, or disclosed to a third party, either wholly or in part, without the consent of HellermannTyton.

Drawn	AAC	10/24/14
Approved	KAC	10/24/14
 North America Email: corp@htamericas.com Web: www.hellermann.tyton.com		

Article/Type-No	T50SVCOC10-14	Scale	1:1	
Title	T50SVCOC10-14 T50SVC CABLE TIE WITH OMEGA CLIP 10-14		Project Number	PRP 05-044
Drawing-No	05-0044-004-CSU		Format	AH
Production : Phase			Sheet	1/1