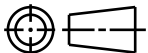
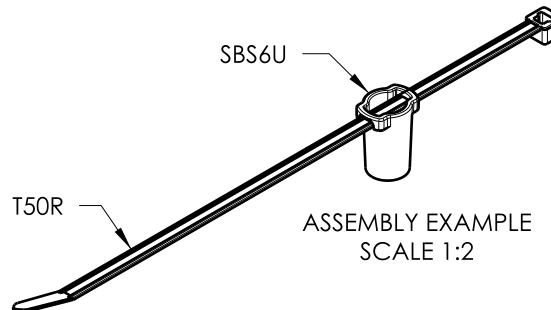
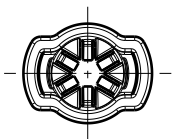


CATIA V5

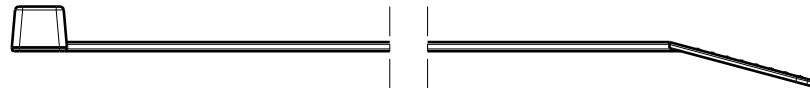
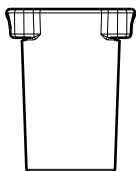


Revision Level			Revision Record	Changed	Date	Approved	Date
Drawing	State	Part					
01.1	Design Release	B	SEE ECN# 012611	KVH	3/24/14	EJH	3/24/14

SBS6U  
DELIVERY CONDITION: UNASSEMBLED SET



T5OR  
DELIVERY CONDITION: UNASSEMBLED SET



TYPE	BUNDLE RANGE	CABLE TIES		MOUNT	
		DRAWING	MATERIAL	DRAWING	MATERIAL
T5OR0SBS6U-SET	4 TO 50	CT2050007CST	PA66HS	12-0637-041-CSU	PA66HIRHS

Material  
SEE CHART

Units millimeters  
  
Tolerance defined on each dimension

The copyright of this drawing is reserved by HellermannTyton. It is issued on condition that it is not reproduced, copied or disclosed to a third party, either wholly or in part, without the consent of HellermannTyton.

Drawn	KVH	7/29/13
Approved	SJA	9/20/13
<b>HellermannTyton</b>		
North America Email: corp@htamericas.com Web: www.hellermann.tyton.com		

Article/Type-No	SEE CHART	Scale	1:1
Title	6mm STUD MOUNT 21.5mm LONG WITH T5OR CABLE TIE		Project Number
Drawing-No	<b>12-0637-122-CSU</b>		12-0637
PRODUCTION	Phase	Format	AH
		Sheet	1/1

