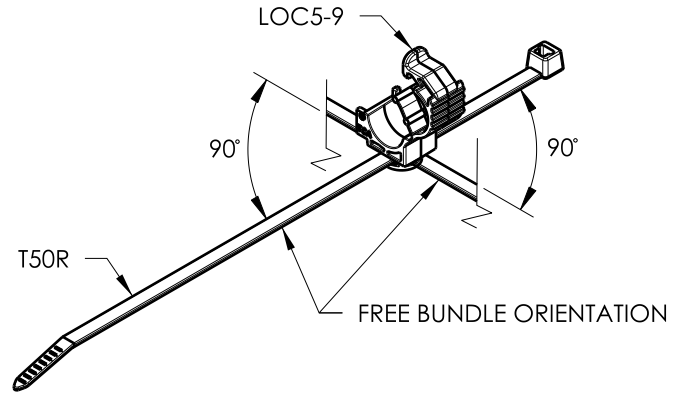
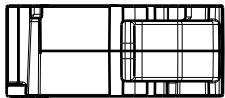


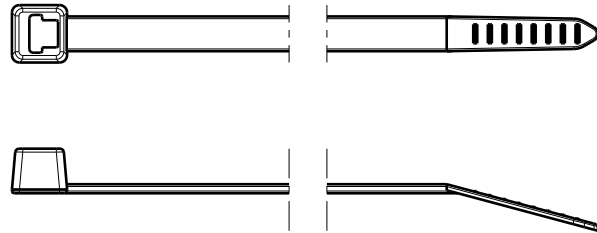
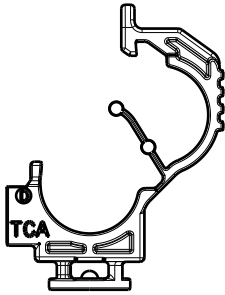
Revision Level			Revision Record	Changed	Date	Approved	Date
Drawing	State	Part					
04.2	Design Release	D	SEE ECN# 014515	KVH	11/12/18	EJF	11/12/18

LOC5-9
DELIVERY CONDITION: UNASSEMBLED SET



ASSEMBLY EXAMPLE
SCALE 1:2

T50R
DELIVERY CONDITION: UNASSEMBLED SET



04.2

04.2

04.2

04.2

GLOBAL PART DESCRIPTION	BUNDLE RANGE	CABLE TIES			MOUNT		
		DRAWING	MATERIAL	COLOR	DRAWING	MATERIAL	COLOR
T50RLOC5-9-SET-PA66HS/PA66HIRHSUV-BK	5 TO 50	CT2050007CST	PA66HS	BLACK	12-0430-001-CSU	PA66HIRHSUV	BLACK

Material
SEE CHART

Units millimeters
Tolerance defined on each dimension

The copyright of this drawing is reserved by HellermannTyton. It is issued on condition that it is not reproduced, copied or disclosed to a third party, either wholly or in part, without the consent of HellermannTyton.

Drawn KVH 7/2/13
 Approved MHT 7/2/13

 North America
 Email: corp@htamericas.com
 Web: www.hellermann.tyton.com

Article/Type-No T50RLOC5-9-SET
 Title LOCKING OMEGA CLIP (5-9mm BUNDLE) WITH T50R CABLE TIE
 Drawing-No PRODUCTION : Phase
12-0430-111-CSU

Scale 1:1
 Project Number 12-0430
 Format AH
 Sheet 1/1