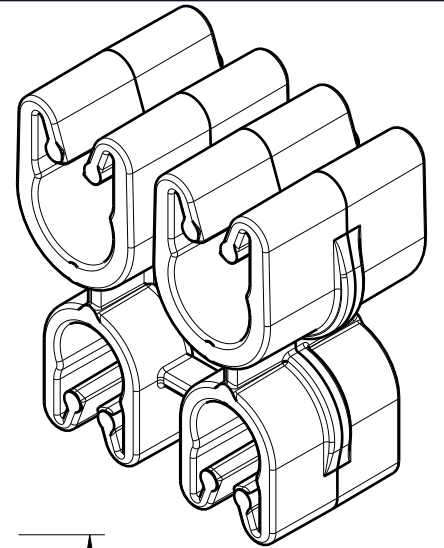
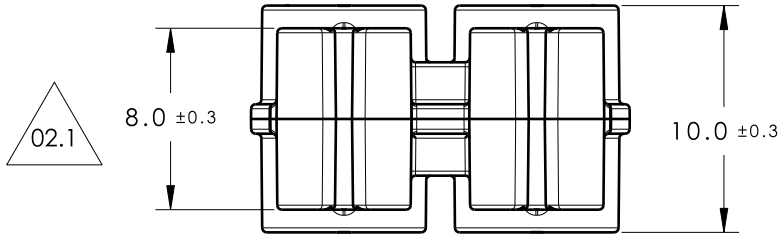
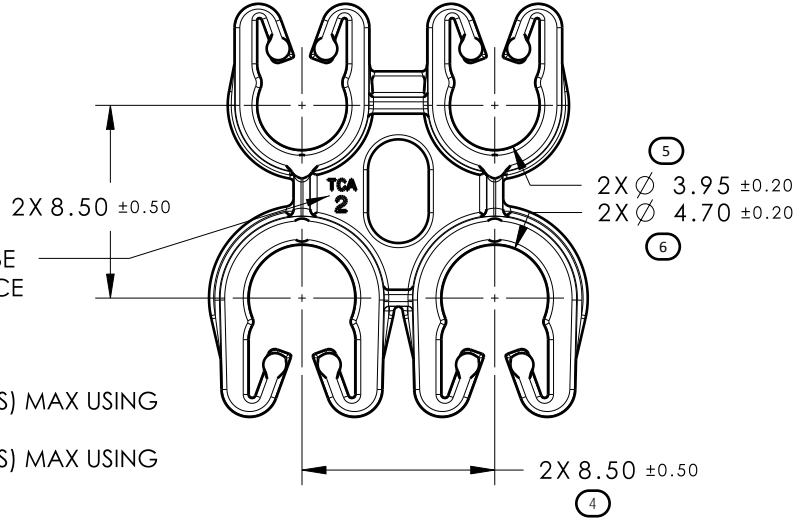


Revision Level			Revision Record	Changed	Date	Approved	Date
Drawing	State	Part					
02.1	Design Release		SEE ECN# 014069	TAT	09/20/17	EJH	09/20/17



ISOMETRIC VIEW



'TCA' AND CAVITY ID TO BE LOCATED ON THIS SURFACE

- PERFORMANCE REQUIREMENTS:
1. CLIP PUSH ON FORCE: 45 NEWTONS (10 LBS) MAX USING NOMINAL PIN SIZE OF 3.95MM
 2. CLIP PUSH ON FORCE: 45 NEWTONS (10 LBS) MAX USING NOMINAL PIN SIZE OF 4.7MM

- NOTES:
1. MAXIMUM PERCENT REGRIND PERMISSIBLE: 25%
 2. MAX ALLOWABLE FLASH OR MISMATCH TO BE 1MM

Material PA66HIRHS COLOR: BLACK	Units millimeters Tolerance defined on each dimension	The copyright of this drawing is reserved by HellermannTyton. It is issued on condition that it is not reproduced, copied or disclosed to a third party, either wholly or in part, without the consent of HellermannTyton.	Drawn	TAT	02/06/17	Article/Type-No	PC4X2-5X2	Scale	3:1
			Approved	KVH	02/06/17	Title	TWO 4.7MM CLIPS WITH TWO 3.95MM CLIPS	Project Number	17-0122
			HellermannTyton North America Email: corp@htamericas.com Web: www.hellermann.tyton.com			Drawing-No	PRODUCTION : Phase	Format	AH
						17-0122-011-CSU		Sheet	1/1