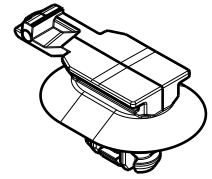
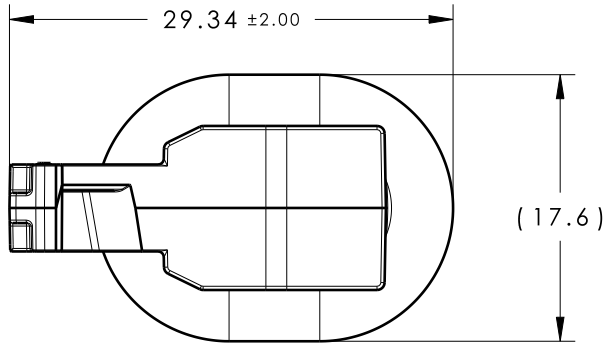




Revision Level			Revision Record	Changed	Date	Approved	Date
Drawing	State	Part					
03.1	Design Release	B	SEE ECN# 013314	CJR	12/7/15	KVH	12/7/15

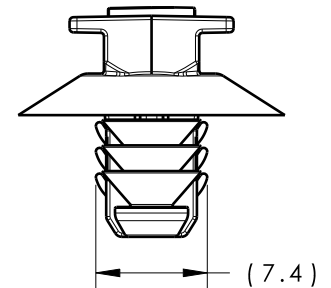
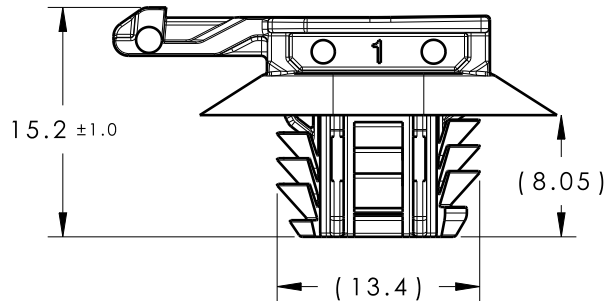


ISOMETRIC VIEW  
SCALE 1:1

REFERENCE:

PERFORMANCE REQUIREMENTS AT DRY AS MOLDED:

1. FIR TREE PUSH IN FORCE: 45 NEWTONS (10 LBS) MAX IN EACH APPLICABLE OVAL HOLE SIZE AND A PLATE THICKNESS OF 1.8mm.
2. FIR TREE PULL OUT FORCE: 110 NEWTONS (25 LBS) MIN IN EACH APPLICABLE OVAL HOLE SIZE AND A PLATE THICKNESS OF 1.8mm.
3. SHEET METAL THICKNESS RANGE: 0.60mm - 3.00mm
4. APPLICABLE OVAL HOLE SIZES:
  - A. 6.2 X 12.2mm
  - B. 6.5 X 12.5mm
  - C. 6.5 X 13.0mm
  - D. 7.0 X 12.0mm
5. DESIGNED TO MEET PUSH ON/PULL OFF FORCES OF SAE/USCAR-2
6. FITS INTO USCAR CLIP SLOT SPECIFICATION EWCAP-005-11 (NOT A TEST SPEC.)
7. MAXIMUM PERCENT REGRIND PERMISSIBLE: 25%



Material PA66HIRHS COLOR: BLACK	Units	millimeters	The copyright of this drawing is reserved by HellermannTyton. It is issued on condition that it is not reproduced, copied or disclosed to a third party, either wholly or in part, without the consent of HellermannTyton.	Drawn	SJA	1/7/14	Article/Type-No	CCOVAL6	Scale	2:1
	Tolerance defined on each dimension	03.1		Approved	KVH	1/7/14	Title	SHORT OVAL FIR TREE WITH EWCAP-005-11	Project Number	14-0402
				 North America Email: corp@htamericas.com Web: www.hellermann.tyton.com			Drawing-No	PRODUCTION : Phase	Format	AH
							14-0402-001-CSU		Sheet	1/1