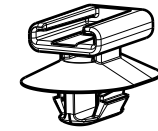


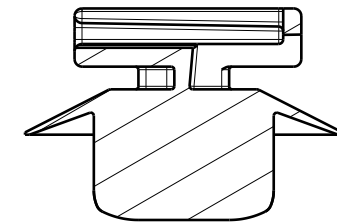
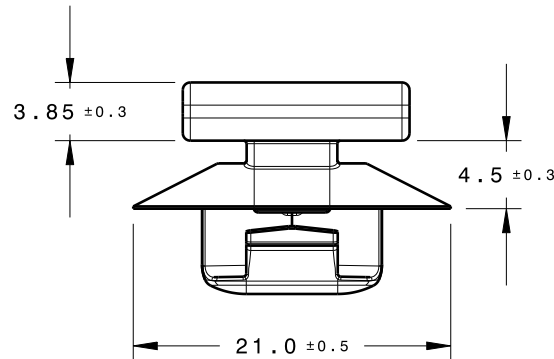
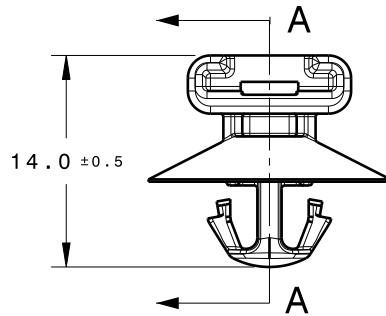
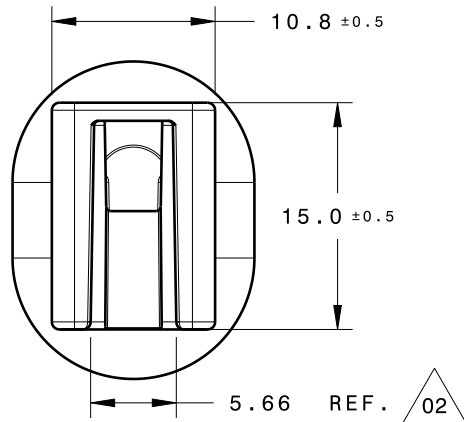
REFERENCE:

PERFORMANCE REQUIREMENTS AT DRY AS MOLDED:

1. PANEL THICKNESS: 2.5 +/- 0.2mm
2. HOLE SIZE: 6.2 x 12.2 +/- 0.2mm



Isometric view  
Scale: 1:1



Section view A-A

INVENTORS

**HellermannTyton®**

ALL PROPRIETARY RIGHTS IN THE SUBJECT MATTER SHOWN ON THIS DRAWING ARE EXCLUSIVE PROPERTY OF HELLERMANN TYTON

name	date	city, state
S. ADAMS	1/17/12	MENOMONEE FALLS, WI.

REVISIONS

DR level	by	date	part level
02	SJA	7/6/12	A

DIMENSIONS

TOLERANCES	units
.XXXX = ± 0.25	millimeters
.XXX = ± 0.50	
.XX = ± 1.00	
.X = ± 2.00	
∠ = ± 1.00	
unless otherwise specified	

PART

number	CCKSFT6.2X12.2	phase	PRODUCTION
name	6.2 X 12.2mm LOW PROFILE ARROWHEAD CONNECTOR CLIP		
material	PA66HIRHS COLOR: BLACK		

DRAWING

FORMAT	AH	CAD	CATIA V5	SCALE	2:1
VERSION	J	A- SIZE (landscape)_N01		previous drawing number	
drawn	S. ADAMS	checked	P. TRAUTFIELD	approved	
	11/29/11		11/29/11		
type	CUSTOMER	sheet 1 of 1			
number	11-0442-002-CSU				