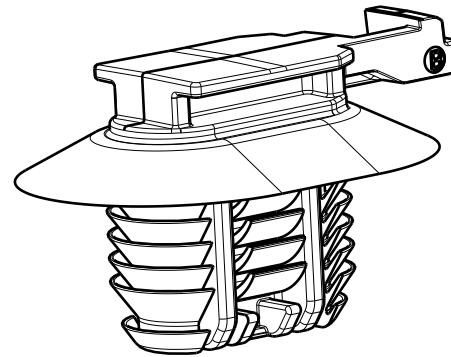
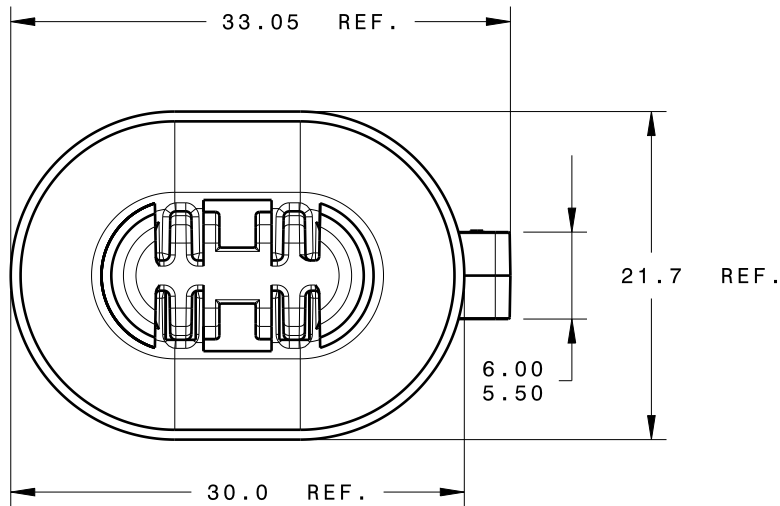


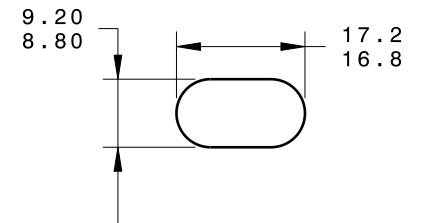
REFERENCE:

PERFORMANCE REQUIREMENTS AT DRY AS MOLDED:

1. FIR TREE PUSH IN FORCE: 15 lbs MAX IN AN OVAL HOLE THAT IS 9mm (+/- 0.20) X 17mm (+/- 0.20) AND A SHEET METAL THICKNESS OF 1.8mm (+/- 0.35)
2. FIR TREE PULL OUT FORCE: 40 lbs MIN IN AN OVAL HOLE THAT IS 9mm (+/- 0.20) X 17mm (+/- 0.20) AND A SHEET METAL THICKNESS OF 1.8mm (+/- 0.35)
3. POSSIBLE SHEET METAL THICKNESS RANGE: 0.60mm - 6.35mm
4. CLIP TO CONNECTOR PUSH ON FORCE: 13.48 lbs MAX.
5. CLIP TO CONNECTOR PULL OFF FORCE: 24.73 lbs MIN.



Isometric view



THIS VIEW SHOWS THE RECOMMENDED HOLE

INVENTORS

HellermannTyton®

ALL PROPRIETARY RIGHTS IN THE SUBJECT MATTER SHOWN ON THIS DRAWING ARE EXCLUSIVE PROPERTY OF HELLERMANN TYTON

name	date	city state
SJA	6/11/2007	MENOMONEE FALLS, WI

REVISIONS

DR level	
AW by	SJA
IN date	3/15/10
NG ECN #	011524
part level	B

DIMENSIONS

TOLEPRANCSSES	.XXXX = ± 0.25
	.XXX = ± 0.50
	.XX = ± 1.00
	.X = ± 2.00
	∠ = ± 1.00
	unless otherwise specified
units	millimeters

PART

number	CC09	phase	PRODUCTION
9mm X 17mm OVAL HOLE CONNECTOR CLIP			
material	NYLON 6/6, IMPACT MODIFIED, HEAT STABILIZED, UV RESISTANT COLOR: BLACK		

DRAWING

FORMAT	AH	CAD	CATIA V5	SCALE	2:1
VERSION	J	previous drawing number			
drawn	S. ADAMS	checked	J. PASSILLA	approval	
	6/11/07		6/11/07		
type	CUSTOMER		sheet 1 of 1		
number	MT08-028-001CST				

Product Number
Cross Reference Record

Uncontrolled Document

Pre-UNS Number System	(New) UNS Universal Number System	Customer Part Number
Product Number CC09	Product Number 151-00765	Product Number -
Reference Drawing Number: MT08-028-001CST		

Issued By:	(New) UNS Product Number	Issue Date:
HellermannTyton	Universal Numbering System	April 15, 2011