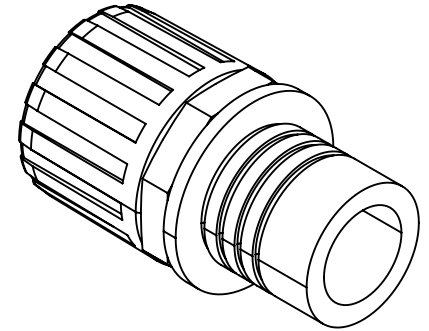
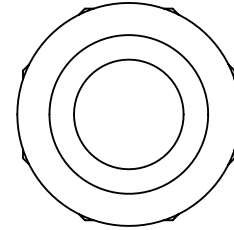
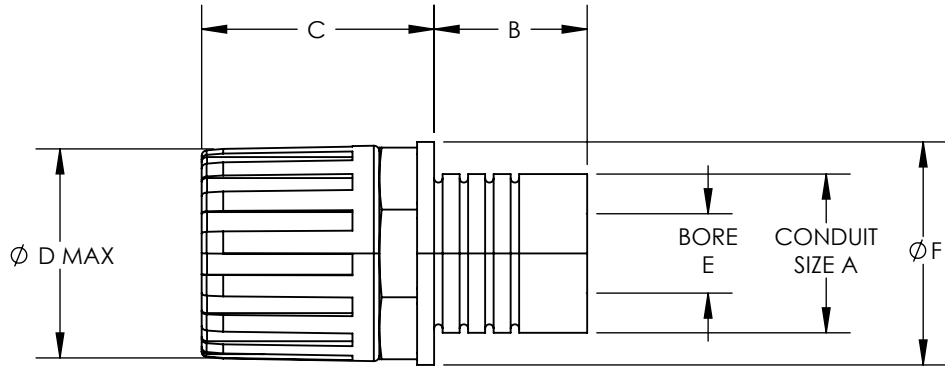


SW2014



Revision level			Revision Record	Changed	Date	Approved	Date
Drawing	State	Part					
00.0	Design Release		SEE ECN# 013611	GRW	10/31/2016	KAC	10/31/2016



Conduit Size				Euro Size In	HellermannTyton Part Number	Manufacturer Reference Number	Dimension									
Conduit Size ØD	Conduit Size "A"	Conduit Size ØD	Conduit Size "A"				B		C		D		E		F	
in.	in.	mm	mm	(NW)			in.	mm	in.	mm	in.	mm	in.	mm	in.	mm
1/2"	3/8"	21	16	17	HGL038-R050	FPAX16-R21	0.89	22.5	1.12	28.5	1.12	28.5	0.57	14.5	1.16	29.5
3/4"	3/8"	28	16	23	HGL038-R075	FPAX16-R28	1.12	28.5	1.12	28.5	1.12	28.5	0.57	14.5	1.33	33.8
	1/2"		21	23	HGL050-R075	FPAX21-R28	1.12	28.5	1.18	30	1.26	32	0.69	17.5	1.33	33.8
1"	3/8"	34	16	29	HGL038-R100	FPAX16-R34	1.17	29.8	1.12	28.5	1.12	28.5	0.57	14.5	1.74	44.1
	1/2"		21	29	HGL050-R100	FPAX21-R34	1.17	29.8	1.18	30	1.26	32	0.69	17.5	1.74	44.1
	3/4"		28	29	HGL075-R100	FPAX28-R34	1.17	29.8	1.38	35	1.73	44	1.01	25.7	1.74	44.1
1.25"	1/2"	42	21	36	HGL050-R125	FPAX21-R42	1.17	29.8	1.18	30	1.26	32	0.69	17.5	1.97	50
	3/4"		28	36	HGL075-R125	FPAX28-R42	1.17	29.8	1.38	35	1.73	44	1.01	25.7	1.97	50
	1"		34	36	HGL100-R125	FPAX34-R42	1.17	29.8	1.46	37	1.99	50.5	1.24	31.5	1.97	50

Material
PA66

Units: **inches**
 Dimension without tolerances details to:
 .xxxx = ±.0005
 .xxx = ±.005
 .xx = ±.01
 .x = ±.03
 None = ±.06
 < = ±0.5°
 Dimension Formatted in[mm]

The copyright of this drawing is reserved by HellermannTyton. It is issued on condition that it is not reproduced, copied, or disclosed to a third party, either wholly or in part, without the consent of HellermannTyton.

Drawn GRW 10/31/2016
 Approved KAC 10/31/2016
HellermannTyton
 North America
 Email: corp@htamericas.com
 Web: www.hellermann.tyton.com

Article/Type-No HGL-R SERIES
 Title **HELAGUARD CONDUIT REDUCER, IP68**
 Drawing-No PRODUCTION : Phase
15-0849-001-CSU

Scale 1:1
 Project Number PRP 15-0849
 Format AH
 Sheet 1/1