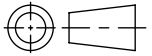
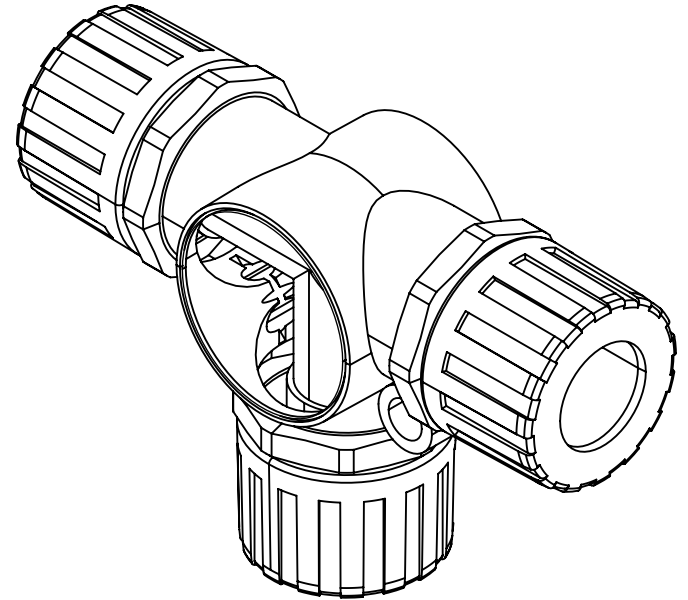
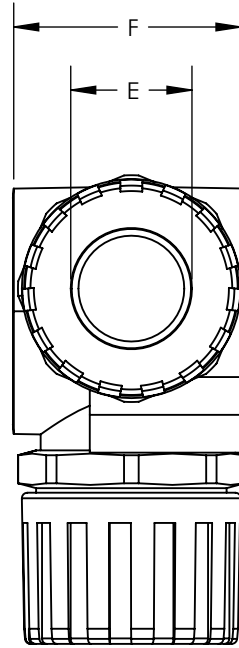
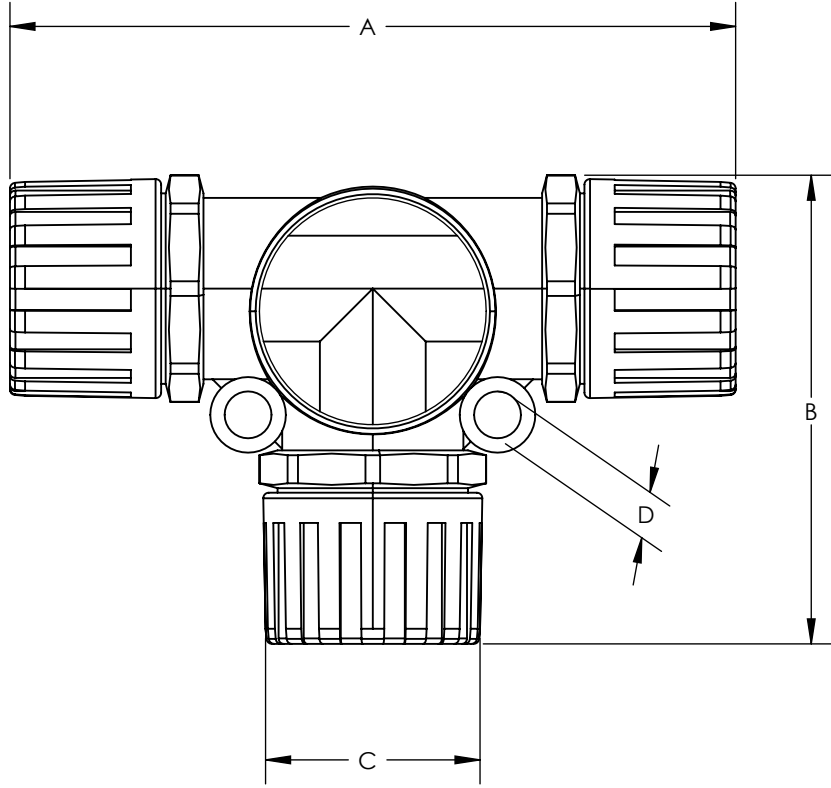


SW2014



Revision level			Revision Record	Changed	Date	Approved	Date
Drawing	State	Part					
00.0	Design Release		SEE ECN# 013611	GRW	10/31/2016	KAC	10/31/2016



Conduit Size			Euro Size	HellermannTyton Part Number	Manufacturer Reference Number	Dimension											
in.	mm	(NW)				A		B		C		D		E		F	
				in.	mm	in.	mm	in.	mm	in.	mm	in.	mm	in.	mm		
3/8	16	12	HG038-T	FPA16T	3.78	96	2.44	62	1.30	33	0.24	6.2	0.55	14.0	1.22	31	
1/2	21	17	HG050-T	FPA21T	3.90	99	2.48	63	1.34	34	0.24	6.2	0.75	19.0	1.38	35	
3/4	28	23	HG075-T	FPA28T	4.92	125	3.42	87	1.77	45	0.23	6.0	0.98	25.0	1.89	48	
1.00	34	29	HG100-T	FPA34T	5.12	130	3.58	91	1.89	48	0.28	7.2	1.3	33.0	2.13	54	
1.25	42	36	HG125-T	FPA42T	5.91	150	4.33	110	2.17	55	0.28	7.2	1.61	41.0	2.56	65	

Material
PA66

Units: **inches**
 Dimension without tolerances details to:
 .xxxx = ±.0005
 .xxx = ±.005
 .xx = ±.01
 .x = ±.03
 None = ±.06
 ∠ = ±0.5°
 Dimension Formatted in[mm]

The copyright of this drawing is reserved by HellermannTyton. It is not reproduced, copied, or disclosed to a third party, either wholly or in part, without the consent of HellermannTyton.

Drawn GRW 10/31/2016
 Approved KAC 10/31/2016
HellermannTyton
 North America
 Email: corp@htamericas.com
 Web: www.hellermann.tyton.com

Article/Type-No HG-T SERIES
 Title **HELAGUARD T-CONNECTOR
 NYLON FITTING, IP66**
 Drawing-No PRODUCTION : Phase
15-0845-001-CSU

Scale 1:1
 Project Number PRP 15-0845
 Format AH
 Sheet 1/1